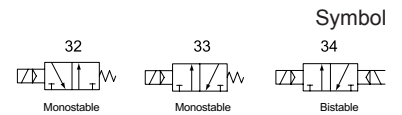


»3V« Series

517.1000–517.1505



Product features

Traditional and robust pilot valve series. Suitable for all applications where pneumatic actuators have to be operated. These valves are designed for in-line installation or as mass-produced valves for mounting on a multiple manifold base. Mounting in any position.

The following types are available:

- Four port sizes (M5, 1/8", 1/4" and 3/8")
- 3/2-way version

Valve's specification

Type No.	Size 100		Size 200		Size 300	
		517.1000	517.1001	517.1002	517.1003	517.1004
	517.1100	517.1101	517.1102	517.1103	517.1104	517.1105
	517.1200	517.1201	517.1202	517.1203	517.1204	517.1205
	517.1300	517.1301	517.1302	517.1303	517.1304	517.1305
	517.1400	517.1401	517.1402	517.1403	517.1404	517.1405
	517.1500	517.1501	517.1502	517.1503	517.1504	517.1505
Fluid	Air (to be filtered by $\leq 40 \mu\text{m}$ filter element)					
Acting	Internally piloted					
Port size	M5	1/8"	In = Out = 1/8"	In = Out = 1/4"	In = Out = 1/4"	In = Out = 3/8"
Valid area of section	5.5 mm ² (Cv=0.31)	12.0 mm ² (Cv=0.67)	14.0 mm ² (Cv=0.78)	16.0 mm ² (Cv=0.89)	25.0 mm ² (Cv=1.39)	30.0 mm ² (Cv=1.67)
Valve type	3 port 2 position					
Operating pressure	1.5 to 8 bar (0.15 to 0.8 MPa; 21 to 114 psi)					
Proof pressure	15 bar (1.5 MPa; 215 psi)					
Temperature	-20 to 70 °C					
Material of body	Aluminium alloy					
Lubrication	Not required					
Manual control	latching/non-latching					
Flow rate measurement at $P_1 = 8 \text{ bar}$, $P_2 = 6 \text{ bar}$ and pressure drop $\Delta p = 1 \text{ bar}$	300 L/min	500 L/min	750 L/min	850 L/min	1300 L/min	1500 L/min

Port identification pneumatic valves

	Designation at the valve	Corresponds to ISO 1219-1
Input port	P	1
Output port	A	2
Output port	B	4
Exhaust port	R	3
Exhaust port	S	5
Control port	Y	12
Control port	Z	14

»3V« Series

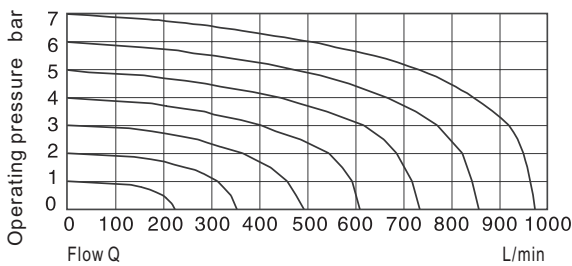
517.1000–517.1505

Ordering information

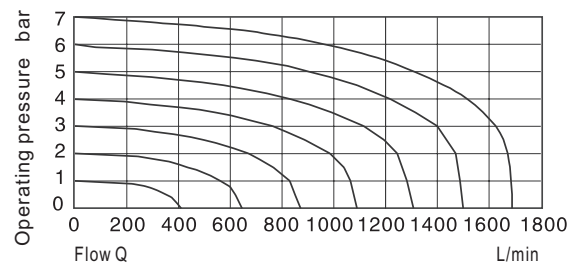
Type No.	Type
517.1000–517.1105	3/2-way pilot valve, monostable, normally open (NO)
517.1200–517.1305	3/2-way pilot valve, monostable, normally closed (NC)
517.1400–517.1505	3/2-way pilot valve, bistable

Flow chart

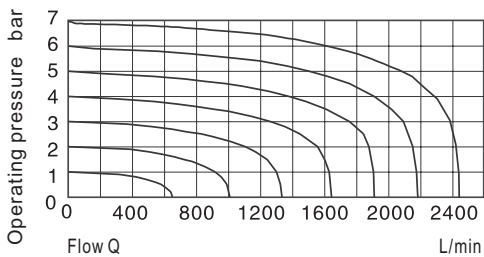
517.1001, 517.1101, 517.1201, 517.1301



517.1003, 517.1103, 517.1203, 517.1303



517.1005, 517.1105, 517.1205, 517.1305



Coil specification

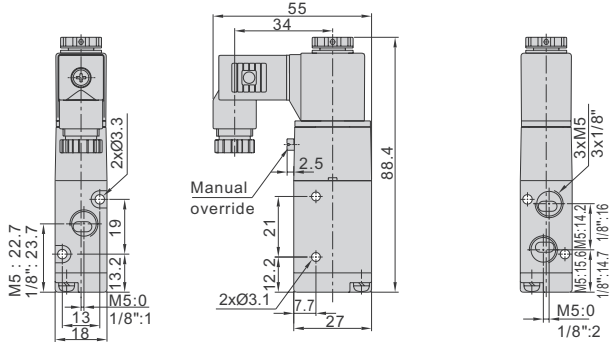
Item	Specification
Standard voltage	24 V DC; 230 V, 50 Hz
Scope of voltage	AC $\pm 15\%$; DC $\pm 10\%$
Power consumption	AC 2.5 VA; DC 2.5 W
Protection	IP65, DIN 40050
Temperature classification	B Class
Electrical entry	Terminal
Activating time	0.05 s and below
Max. frequency	5 cycle/s

»3V« Series

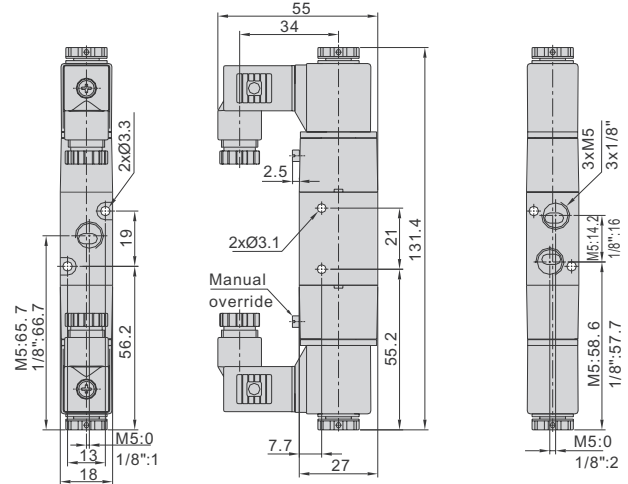
517.1000–517.1505

Dimensions (mm)

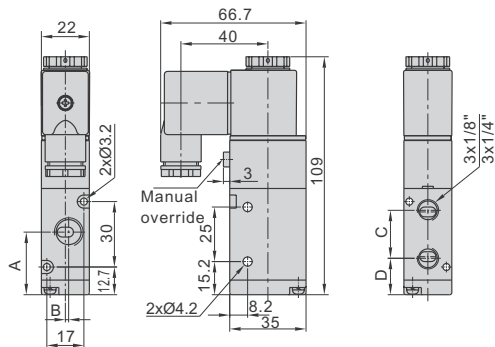
517.1000, 517.1100, 517.1200, 517.1300,
517.1001, 517.1101, 517.1201, 517.1301
(Size 100)



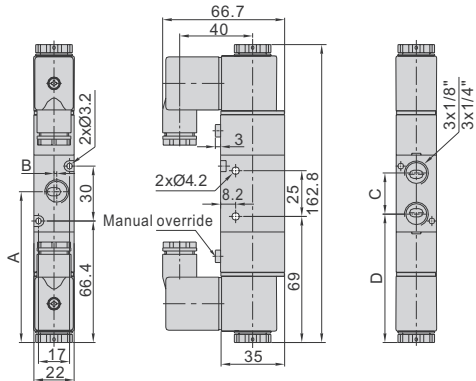
517.1400, 517.1401, 517.1500, 517.1501
(Size 100)



517.1002, 517.1003, 517.1102, 517.1103,
517.1202, 517.1302
(Size 200)



517.1402, 517.1403, 517.1502, 517.1503
517.1203, 517.1303
(Size 200)



	1/8"	1/4"
A	27,7	28,7
B	0	1,5
C	22,0	22,5
D	16,7	16,45

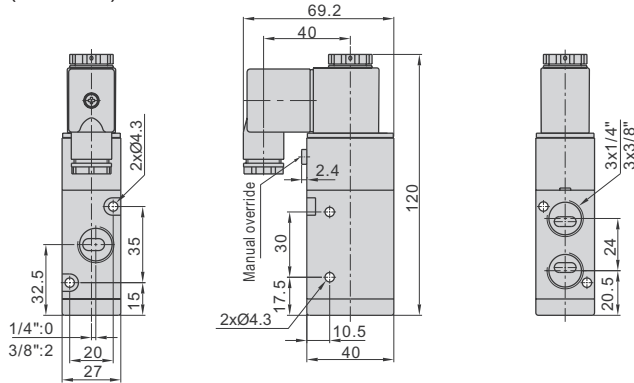
	1/8"	1/4"
A	81,4	82,4
B	0	1,5
C	22,0	22,5
D	70,4	70,15

»3V« Series

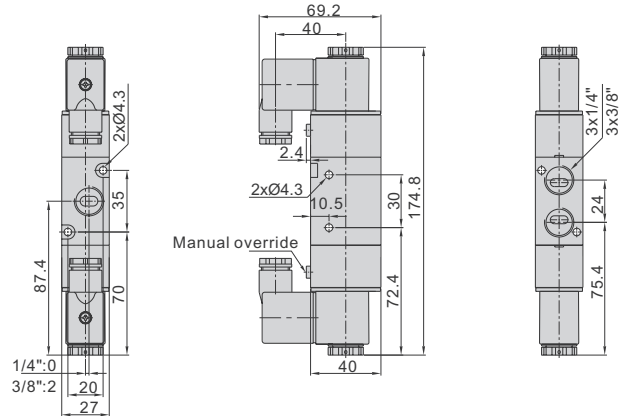
517.1000–517.1505

Dimensions (mm)

517.1004, 517.1005, 517.1104, 517.1105,
517.1204, 517.1205, 517.1304, 517.1305
(Size 300)

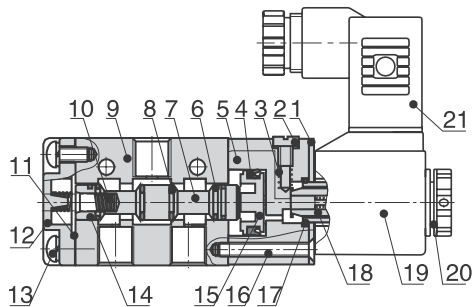


517.1404, 517.1405, 517.1504, 517.1505
(Size 300)

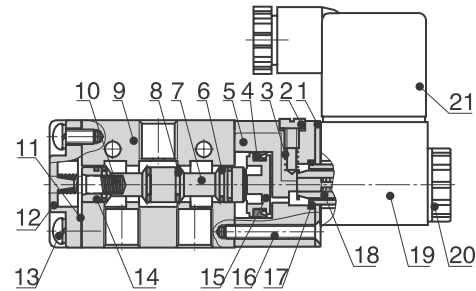


Construction / Material

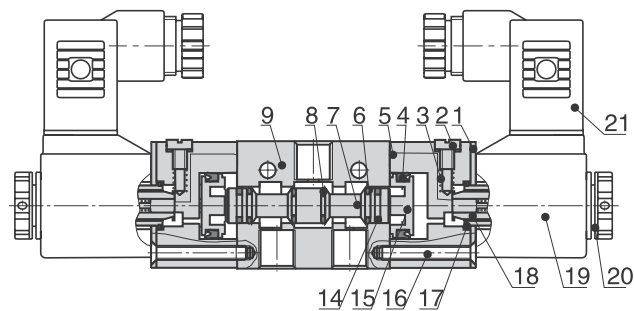
517.1000, 517.1001, 517.1100, 517.1101,
517.1200, 517.1201, 517.1300, 517.1301



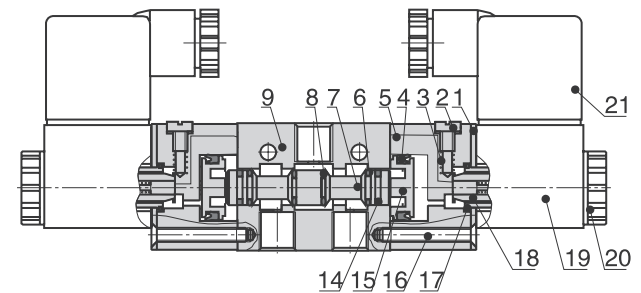
517.1002–517.1005, 517.1102–517.1105,
517.1202–517.1205, 517.1302–517.1305



517.1400, 517.1401, 517.1500, 517.1501



517.1402–517.1405, 517.1502–517.1505



»3V« Series

517.1000–517.1505

No.	Item	Material
1	Plate	Steel
2	Manual override	Size 1 = copper, Size 2 and 3 = POM
3	Spring	Stainless steel
4	O-ring	NBR
5	Pilot body	PBT
6	Spool	HNBR
7	Spool	Aluminium alloy
8	O-ring	NBR
9	Body	Aluminium alloy
10	Spring	Stainless steel
11	Cover gasket	NBR
12	Cover	Aluminium alloy
13	Screw	Steel
14	Wear ring	PA66
15	Piston	POM
16	Screw	Steel
17	O-ring	NBR
18	Armature of magnet	Stainless steel
19	Coil	BMC
20	Coil nut	PA66
21	Plug	Polycarbonate

»3V« Series

517.1000–517.1505

Solenoid coil for 3V/4V Series

Art. No.	Type No.	For size	Power supply	Power consumption
117910	MS230VAC-1	100	230 V AC, 50 Hz	3.5 VA
117911	MS24VDC-1		24 V DC	2.5 W
117912	MS110VAC-1		110 V AC, 50 Hz	3.5 VA
117913	MS24VAC-1		24 V AC, 50 Hz	4.0 VA
117914	MS12VDC-1		12 V DC	2.5 W
117915	MS230VAC-234	200 to 400	230 V AC, 50 Hz	4.5 VA
117916	MS24VDC-234		24 V DC	3.0 W
117917	MS110VAC-234		110 V AC, 50 Hz	4.5 VA
117918	MS24VAC-234		24 V AC, 50 Hz	5.0 VA
117919	MS12VDC-234		12 V DC	3.0 W



Technical data - Solenoid coil for 3V/4V Series

Protection class	IP65, DIN 40050
Temperature class	Class B

Connector for 3V/4V Series

Art. No.	Type No.	For size	Voltage	Electrical connection	Signal time
117920	GSAC100	100	AC	Connector type C	≤ 0,05 s
117921	GSDC100		DC	Connector type C	
117922	GSAC200-400	200 to 400	AC	Connector type B	
117923	GSDC200-400		DC	Connector type B	



Ordering information

Type No.	Art. No.
517.1000	116087
517.1001	116088
517.1002	116089
517.1003	116090
517.1004	116091
517.1005	116092
517.1100	116093
517.1101	116094
517.1102	116095
517.1103	116096
517.1104	116097
517.1105	116098
517.1200	116099
517.1201	116100
517.1202	116101
517.1203	116102
517.1204	116103
517.1205	116104
517.1300	116105
517.1301	116106
517.1302	116107
517.1303	116108
517.1304	116109
517.1305	116110
517.1400	116111
517.1401	116112
517.1402	116113
517.1403	116114
517.1404	116115
517.1405	116116
517.1500	116117
517.1501	116118
517.1502	116119
517.1503	116120
517.1504	116121
517.1505	116122