



Filter

Size 1

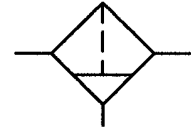
F 11

G 1/4

F 12

G 3/8

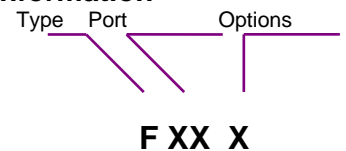
5 µm



Characteristics

Type	F 11	F 12
Port	G 1/4	G 3/8
Type of construction	Centrifugal filter Sintered filter element Special versions on request	
Input pressure p ₁	Max. 16 bar with plastic bowl Max. 20 bar with metal bowl	
Input pressure p ₁ with fully-automatic drain	Max. 10 bar Min. 1.5 bar	
Mounting position	Vertical, drain plug at bottom	
Mounting type	Bracket and two through holes	
Medium temperature	Max. 60 °C (other temperature	
Ambient temperature	Max. 60 °C ranges on request)	
Filter rating	5 µm	
Bowl capacity	Max. 25 cm ³ condensate	
Condensate drain	Semi-automatic Fully-automatic on request	
Weight [g]	275	

Ordering information



Port	
11	G 1/4
12	G 3/8
Options	
K-HA	Plastic bowl
M-SR	Metal bowl with sight glass
S	Bowl guard

Please use the suffix **A«** to order fully-automatic drain

Order example: F 11 K-HA

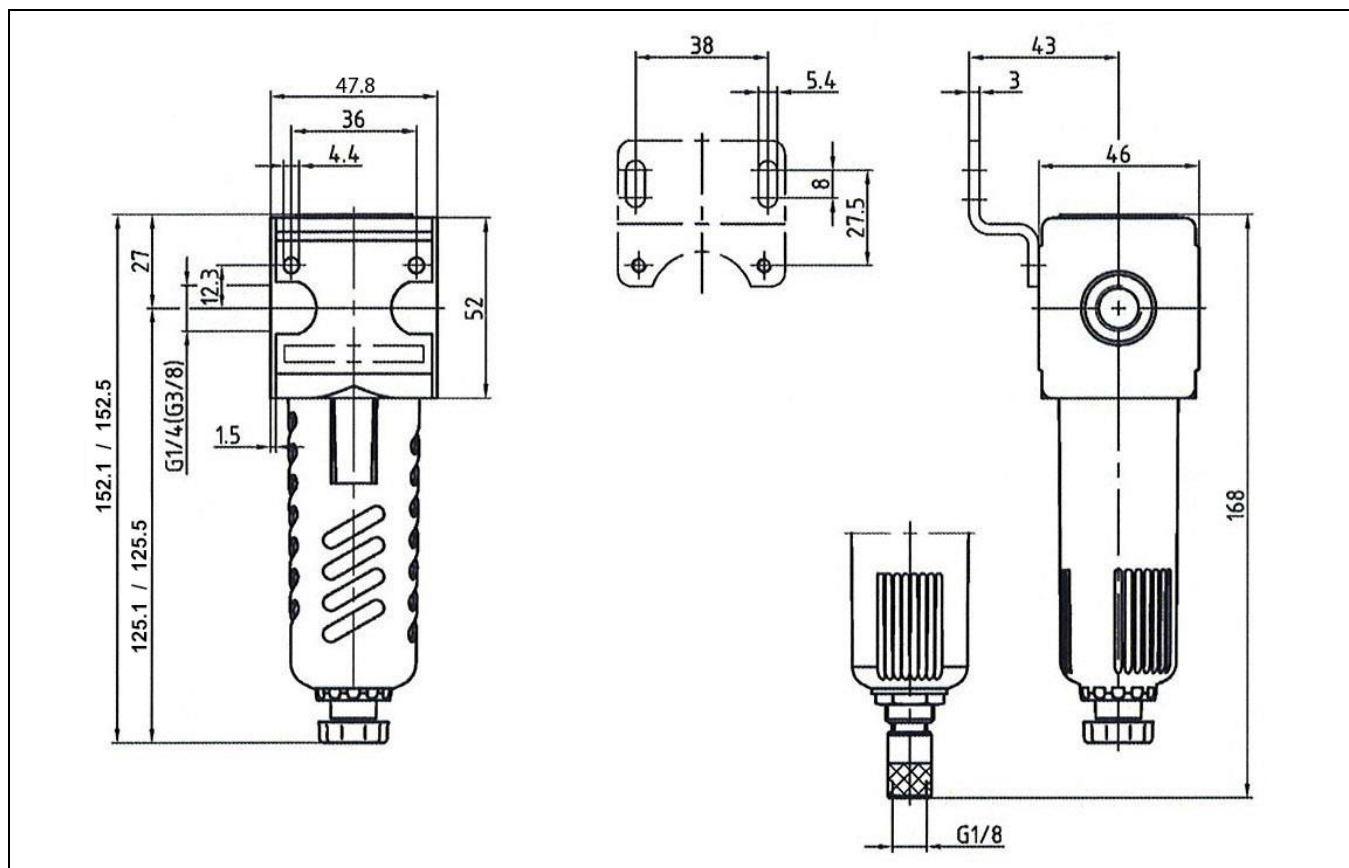
Description

- Block design
- Simple block mounting of several devices with conical clamps and half threads
- Joiner sets (**KP 11**) are required for block mounting
- Flow direction indicated by arrows
- **Entry in direction of arrow**
- Filter rating acc. to ISO 4003, glass bead test
- Bowl guard can be retrofitted without tools

Materials

Part	Material
Head piece (body)	Z 410
O-ring 30x2	NBR
Filter element 5 µm	Polyethylene (sintered)
Air deflector	POM
Baffle	PA
Condensate bowl	Polycarbonate

Dimensions [mm]

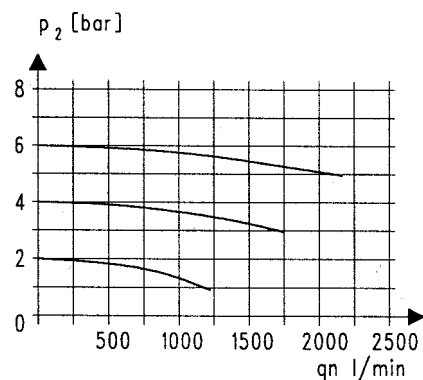


Flow rates

Output pressure p_2 = [bar]		6
Nominal flow ($\Delta p = 1$ bar)	QN m ³ /h l/min	126 2000

Main spare parts

Part	Part No.
Filter element 5 μ m	611.6.905



Accessories

Designation	Order No.
Mounting bracket with 2 screws, compl.	ZW 11
Joiner set(s) for block mounting with other devices	KP 11
Joiner set for narrow diverter block	KP 11 Z
Bowl guard	SK 11
Metal bowl with sight glass	MS 11 FS
Metal bowl with sight glass and fully-automatic drain	MS 11 FS-A
Polycarbonate bowl with semi-automatic drain valve	KS 11 F-HA
Polycarbonate bowl with fully-automatic drain valve	KS 11 F-A
Filter element 5 μ m	611.6.905
Automatic drain valve	655.6.900