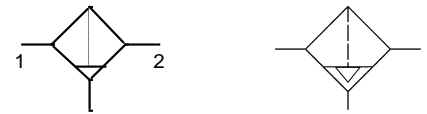



**Micro-filter**
**Size 4**
**FU 6170      FU 6180**
**G 3/4**
**FU 6171      FU 6181**
**G 1**
**0.01 µm**

**Description**

- **Micro-filter** used as a **fine filter** for separating oil, water and solid particles **> 0.01 µm** from compressed air and non-flammable, non-toxic gases. **Installation of an upstream pre-filter is recommended (Data Sheet 1-37-1).**
- "KP300" or "WK 103" joiner set for seamless integration with other devices.

**Characteristics**

Type	FU 6170	FU 6180	FU 6171	FU 6181
Drain	Semi-automatic (semi)	Fully automatic (auto)	Semi-automatic (semi)	Fully automatic (auto)
Port (thread)	G 3/4		G 1	
Type of construction	Micro-filter			
Medium	Compressed air, neutral gases			
Mounting position	Vertical, bowl at bottom			
Temperature Medium / ambient	Max. 50 °C			
Input pressure Pin - With automatic / semi-automatic drain - With manual drain	Min. 1.5 bar Max. 16 bar			
Filter rating	Pore size 0.01 µm (99.999%)			
Residual oil content	< 0.01 mg/m <sup>3</sup>			
Bowl capacity	87 cm <sup>3</sup>			
Condensate drain	Semi-automatic – pressureless exhaust (semi) / fully automatic (auto)			
Weight	1.020 kg (semi) / 1.050 kg (auto)			
Mounting type	Bracket, wall mounting			

**Materials**

Part	Material
Head piece	IXEF1022®
Bowl	Polycarbonate
Bowl guard	Polyamide
Metal bowl	Die-cast zinc
O-ring 55 x 2.5	NBR
O-ring 28.28 x 2.62	NBR
Filter element	Borosilicate / Al
Threaded plates	Die-cast zinc Z 410

**Ordering information**

- The filters are delivered in single packs
- Ordering code for metal bowl with "-M"  
Example: FU 6170-M

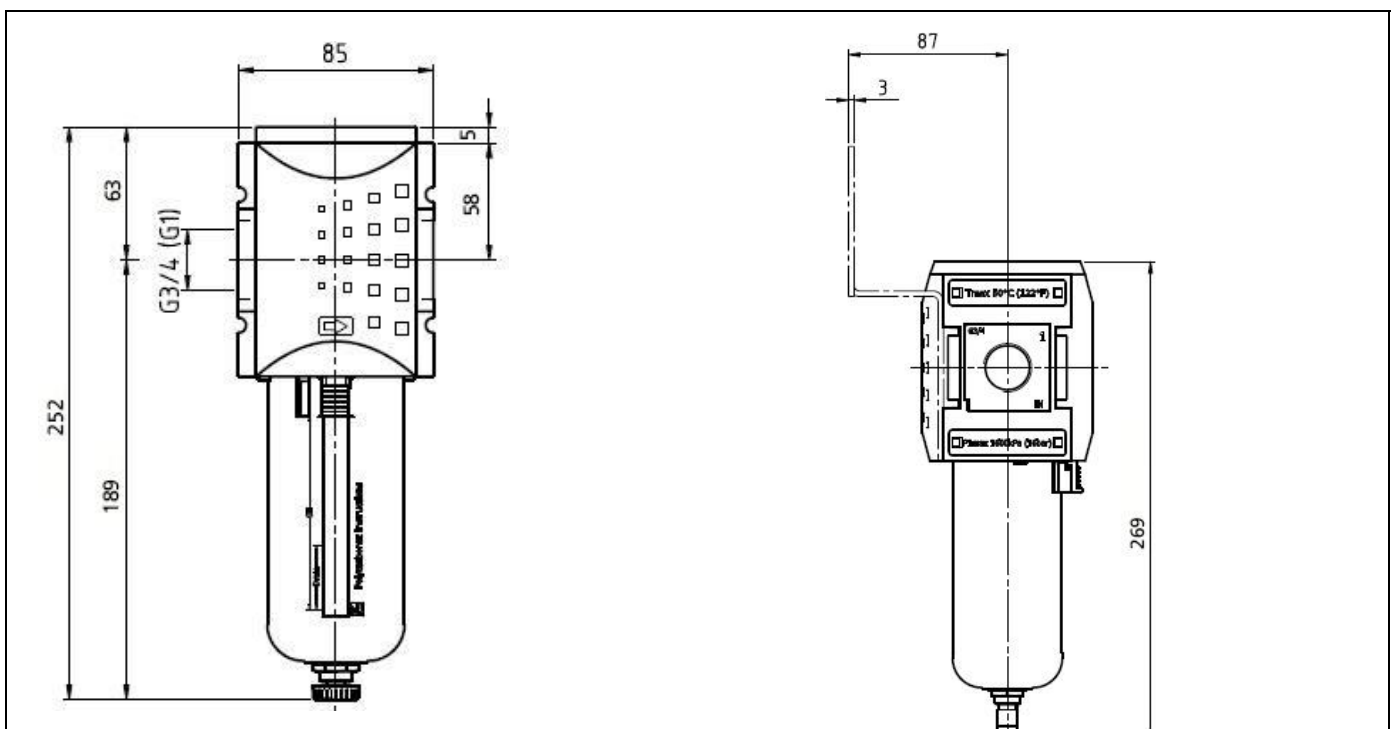
Accessories

Designation	Art. No.
Mounting bracket, incl. screws	H 854
Joiner set with wall bracket	WK 103
Joiner set	KP 300
Polycarbonate bowl with bowl guard / filter	BSF 34
Polycarb. bowl with fully autom. drain valve	BSF 34-A
Metal bowl / filter	MF 34
Metal bowl with fully automatic drain valve	MF 34-A
Differential pressure indicator	DAF 1
Differential pressure gauge	DM 34
Wall bracket with connection thread G 3/4	WK 104-34
Wall bracket with connection thread G 1	WK 104-1

Spare parts

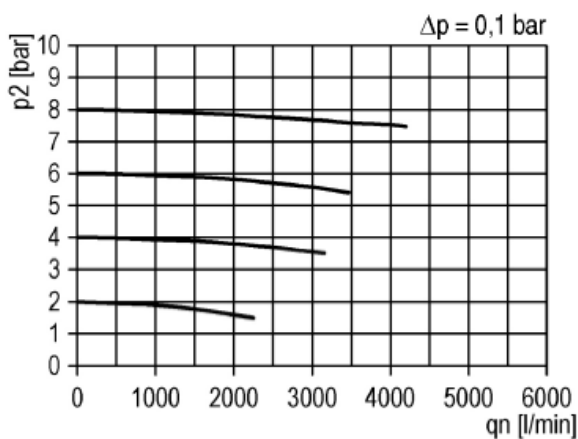
Designation	Art. No.
Filter element 0.01 µm M32x2	M 884/02
Automatic drain valve	655.6.900

Dimensions



Flow rates

Flow characteristic



Mounting bracket

