



<b>Filters</b>	
Size 1	
<b>640.116</b> G 1/4	<b>640.126</b> G 3/8
5 µm	

**Characteristics**

Type	640.116	640.126
Port	G 1/4	G 3/8
Type of construction	Centrifugal filter Sintered filter element  Special versions on request	
Input pressure p <sub>1</sub>	Max. 16 bar with plastic bowl Max. 25 bar with metal bowl	
Input pressure p <sub>1</sub> with fully-automatic drain	Max. 16 bar Min. 1.5 bar	
Mounting position	Vertical, drain plug at bottom	
Mounting type	Bracket	
Medium temperature	Max. 60 °C (other temperature	
Ambient temperature	Max. 60 °C ranges on request)	
Filter rating	5 µm	
Bowl capacity	Max. 35 cm <sup>3</sup> condensate	
Condensate drain	Manual, semi-automatic Fully-automatic on request	
Weight [g]	320	

**Ordering information**

Options	
<b>K-HA</b>	Plastic bowl
<b>M</b>	Metal bowl
<b>S</b>	Bowl guard

Please use the suffix »A« to order fully-automatic drain

**Order example: 640.116 K-HA**

**Description**

- Standard design
- Flow direction indicated by arrows
- Entry in direction of arrow
- Filter rating acc. to ISO 4003, glass bead test

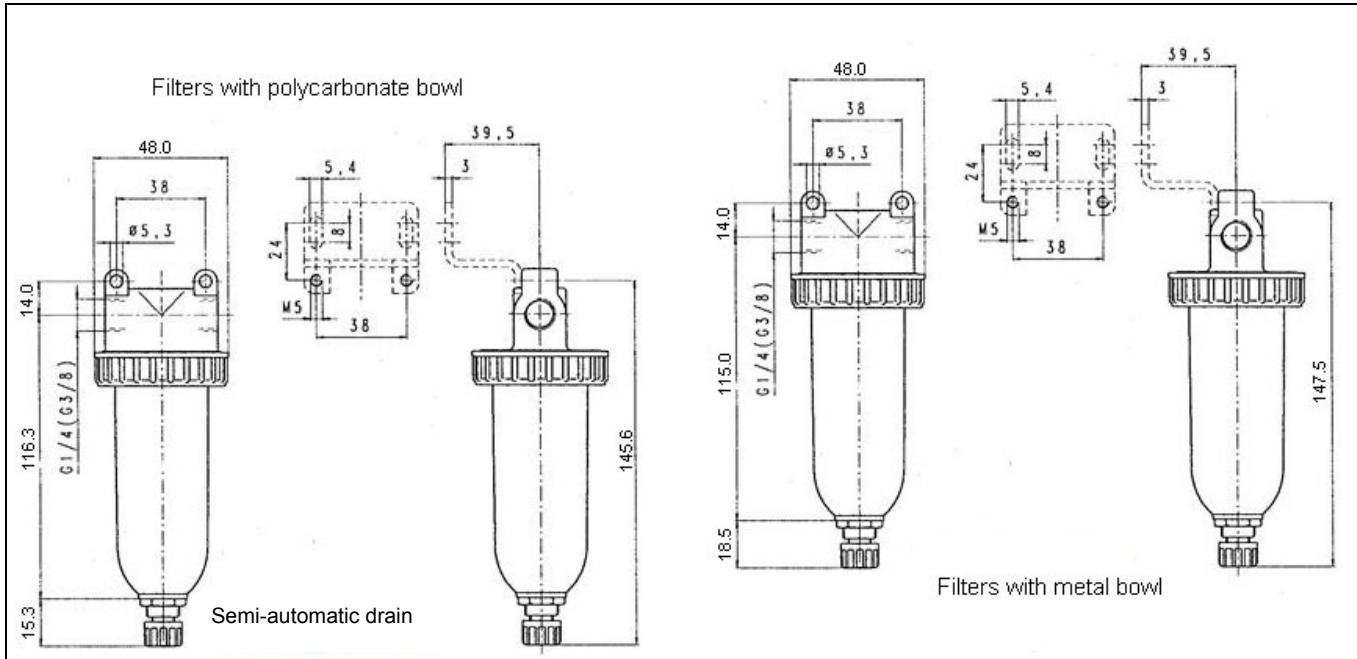
**Materials**

Part	Material
Head piece (body)	Z 410
O-ring 37x2	NBR
Filter element 5 µm	Polyethylene
Condensate bowl	Polycarbonate
Air deflector	PS
Baffle	PE

**Accessories**

Designation	Order No.
Mounting bracket	H 800
Plastic bowl	640/2-HA
Metal bowl	640/12
Bowl guard, incl. threaded ring	SK 01
Fully-automatic drain (external)	65/0-N
Fully-automatic drain (internal)	655.6.900

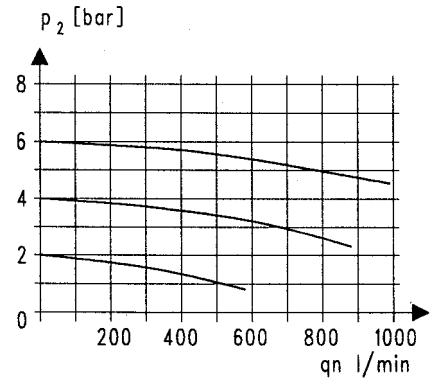
Dimensions [mm]



Flow rates

Output pressure $p_2$ [bar]		2	4	6
Nominal flow ( $\Delta p = 1$ bar)	QN $m^3/h$	31.2	40.2	48
	$l/min$	520	670	800

Flow characteristic



Main spare parts

Part	Part No.
Filter element 5 $\mu m$	611.6.905