



**Stainless steel 1.4408 / 1.4401**

- Full bore

- PN 63

**395.XX**

**G 1/4 to G 2 (DIN EN ISO 228-1)**

CE\*\*

\*\* Marking on DN 32 or larger

**Characteristics**

Art. No.	DN	Port [G]	Operation	PN [bar]
		Screwed end		
395.01	8	1/4	Hand lever	63
395.02	10	3/8		
395.03	15	1/2		
395.04	20	3/4		
395.05	25	1		
395.06	32	1 1/4		
395.07	40	1 1/2		
395.08	50	2		

**Applications**

Compressed air, water, neutral and non-toxic gases, fuel oil (light distillate), fuel oil (heavy), lubricating oils, diesel oils, water based varnishes, weak alkaline solutions and acids

**Standards and directives**

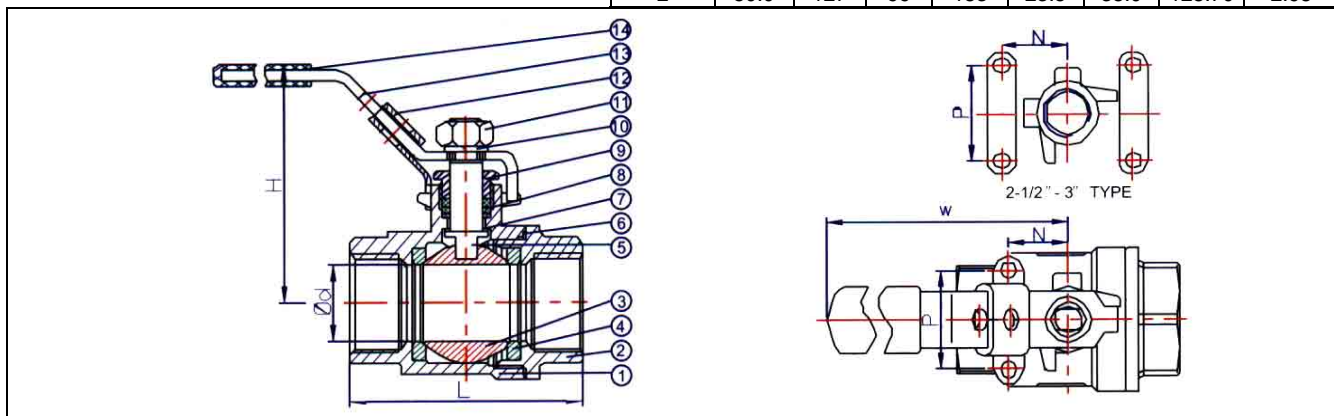
97/23/EC (PED)	94/9/EU (ATEX)
----------------	----------------

**Materials**

No.	Part	Material
1	Body	1.4408
2	End cap	1.4408
3	Ball	1.4408
4	Ball seal	RPTFE 15% glass fibre reinforced
5	Stem	1.4401
6	Seal	PTFE
7	Lock washer	PTFE
8	Packing	PTFE
9	Stuffing box	1.4301
10	Washer	1.4301
11	Nut	1.4301
12	Locking handle	1.4301
13	Hand lever	1.4301
14	Lever cover	Plastic (PVC)

**Dimensions [mm]**

Thread DIN EN ISO 228-1	Ød	L	H	W	N	P	Kv [m³/h]	Weight [kg]
1/4	11.6	52	56	102	12.7	28.5	7.00	0.28
3/8	12.7	52	56	102	12.7	28.5	8.19	0.23
1/2	15.0	58	65	123	12.7	28.5	11.70	0.34
3/4	20.0	67	68	123	21.0	35.0	29.25	0.50
1	25.0	78	79	153	21.0	35.0	40.95	0.68
1 1/4	32.0	90	84	153	23.5	38.0	53.82	1.12
1 1/2	40.0	104	93	183	23.5	38.0	93.60	1.84
2	50.0	127	99	183	23.5	38.0	128.70	2.98



© Riegler 11-11

