



351.522

2/2-way ball valve

Pneumatic actuator

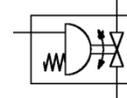
Single air-piloted / spring to close

Interface to ISO 5211

Stainless steel valve

351.519 – 351.525

Rp 3/8 to Rp 2 (ISO 7/1)



Characteristics

Type of operation	Single air-piloted, spring to close
Port	Rp 3/8 to Rp 2 screwed end
Type of construction	Ball valve with floating precision ball in PTFE half shells
Nominal diameter	10 - 50 mm
Mounting position	Any
Rated pressure of ball valve	- See pressure-temperature diagram -
Pilot pressure (actuator)	5.6 to 8.4 bar
Pilot fluid	Filtered, dry compressed air
Operating temperature	-20 to +80°C Wider temperature range (max. 150°C) on request
Flow direction	Any
Flow media	Air, water, gas and corrosive media
Valve adapter	Pre-assembled
Pneumatic control	Directly mounted or separate 5/2-way valves Electrically operated (see "Accessories") On request: Pneumatically or manually operated

Kv values

Art. No.	m³/h
351.519 / 351.519-1	11
351.520 / 351.520-1	20
351.521	60
351.522	100
351.523	130
351.524	170
351.525	280

Torques (valve at 0°)

Art. No.	Nm
395.499	8
395.500	10
395.501	14
395.502	20
395.503	28
395.504	40
395.505	56

Ordering data

Valve with actuator		Actuator	Valve		Weight [kg]
Art. No.	Thread Rp (ISO 7/1)	Part No.	Part No.	Part No.	
351.519	3/8	1590.02	395.499	1.75	1.75
351.519-1	3/8	1590.02	395.499	1.75	1.75
351.520	1/2	1590.02	395.500	1.80	1.80
351.520-1	1/2	1590.02	395.500	1.80	1.80
351.521	3/4	3090.02	395.501	2.70	2.70
351.522	1	3090.02	395.502	2.90	2.90
351.523	1 1/4	4590.02	-*	4.10	4.10
351.524	1 1/2	6090.02	-*	5.55	5.55
351.525	2	9090.02	395.505	8.15	8.15

Materials

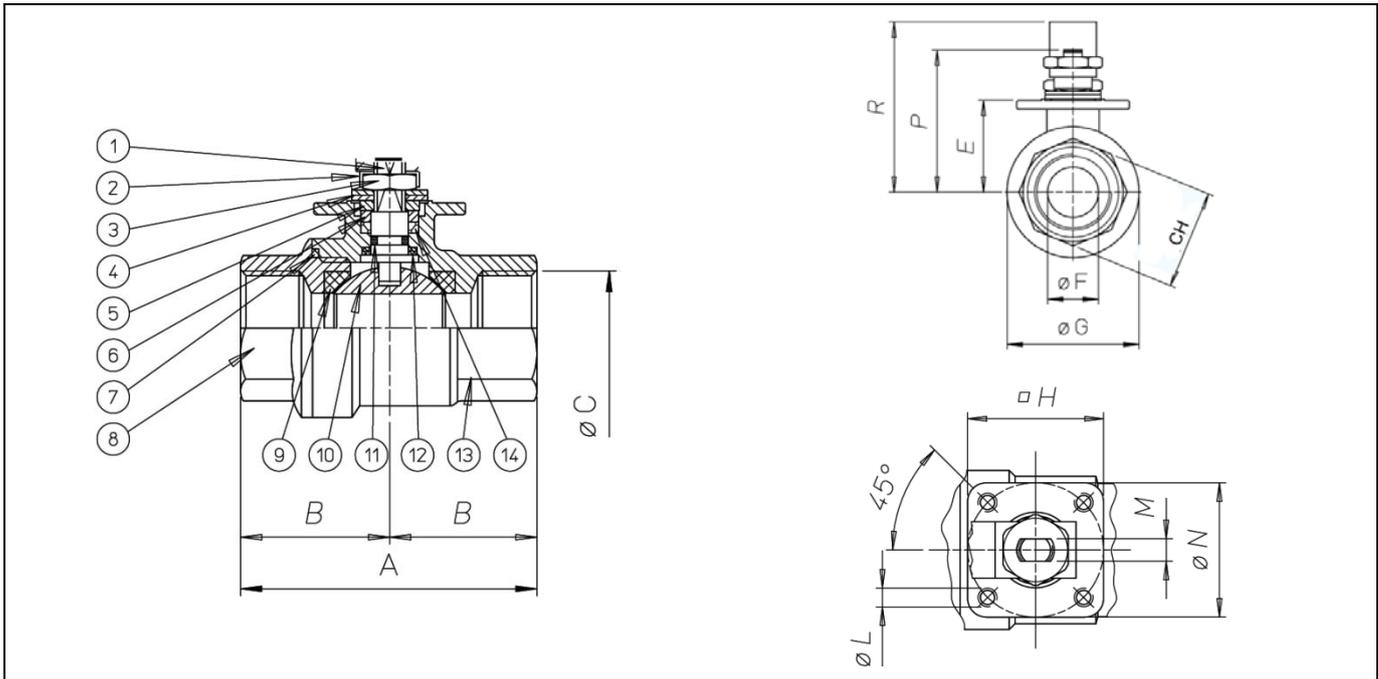
No. -Nr.	Designation	Material No.	
		AISI	DIN
1	Shaft	316	1.4401
2	Washer	304	1.4301
3	Fixing nut	304	1.4301
4	Spring cup	301	1.4310
5	Spacer ring	304	1.4301
6	Stuffing box	304	1.4301
7	Sealing washer	PTFE	
8	Body	316	1.4408
9	Ball seal	PTFE	
10	Ball	316	1.4401
11	O-ring	FPM	
12	Bottom shaft seal	PTFE	
13	Body	316	1.4408
14	Top shaft seal	PTFE	

Accessories / spare parts

Order No.	351.519 351.519-1	351.520 351.520-1	351.521	351.522	351.523	351.524	351.525
Actuator	1590.02 (SR 15)	1590.02 (SR 15)	3090.02 (SR 30)	3090.02 (SR 30)	4590.02 (SR 45)	6090.02 (SR 60)	9090.02 (SR 90)
Repair kit (actuator)	22.1590.00	22.1590.00	22.3090.00	22.3090.00	-*	-*	-*
Ball valve	395.499	395.500	395.501	395.502	-*	395.504	-*
Assembly kit	MSE.1590	MSE.1590	MSE.3090	MSE.3090	MSE.4590	MSE.4590	MSE.9090
Valve conversion plate	350.890	350.890	350.891	350.891	350.891	350.891	350.891
Pilot valves, NAMUR, 5/2-way (accessories)	551.12 24 V DC				551.11 230 V/50 Hz		

* Replacement articles can be supplied on request!

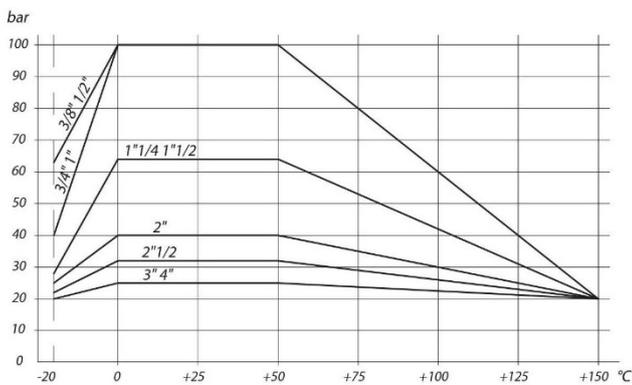
Dimensions (valve)



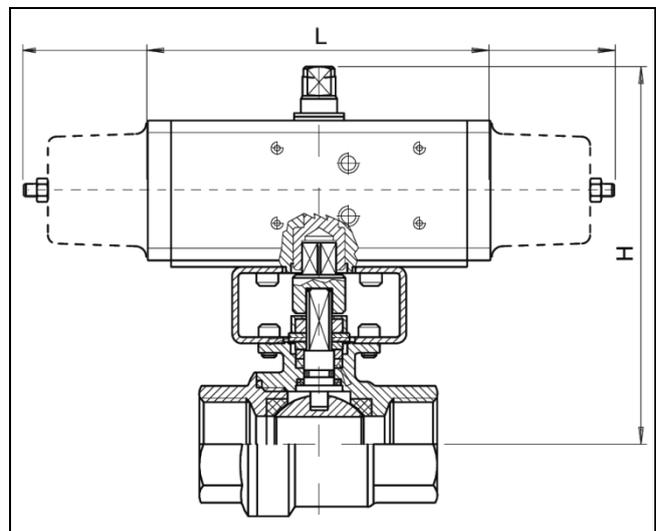
Dimensions [mm]

Art. No.	A	B	øC	E	øF	øG	□H	øL	□M	øN	CH	P	R	S	L	H
351.519	51	25.5	3/8"	19.5	10	29	36	M5	4	36	21.5	37	52	110	221	141.5
Art. No. 103588 = discontinued product. No longer available. New product 154075 (351.519-1)																
351.519-1	51	25.5	3/8"	19.5	10	29	36	M5	4	36	21.5	37	52	110	221	141.5
351.520	61	30.5	1/2"	24.5	15	34	36	M5	4	36	26.5	42	55	110	221	146.5
Art. No. 103589 = discontinued product. No longer available. New product 154078 (351.520-1)																
351.520-1	61	30.5	1/2"	24.5	15	34	36	M5	4	36	26.5	42	55	110	221	146.5
351.521	70	35	3/4"	30.5	20	42.5	36	M5	6	36	31.5	52	66	140	240	162.5
351.522	85	42.5	1"	34.5	25	50.5	36	M5	6	36	40.5	56	70	140	240	166.5
351.523	95	47.5	1 1/4"	42	32	63	42	M5	8	42	49.5	68	85	180	294	183
351.524	105	52.5	1 1/2"	48	40	75.5	42	M5	8	42	54.5	74	91	180	320	207
351.525	125	62.5	2"	55	50	91	50	M6	10	50	69.5	87	105	230	357	234

Pressure / temperature



Basic dimensions [mm] (with actuator)



Standards and directives

97/23/EC (PED)	<i>Scope: Art. 3, Section 3 Unmarked (acc. to Annex II, Diagram 2, Art. 3, Section 3 is applicable)</i>
RoHS	<i>Not applicable</i>