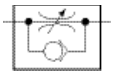




»ASC« Series

225.43–225.46

Symbol



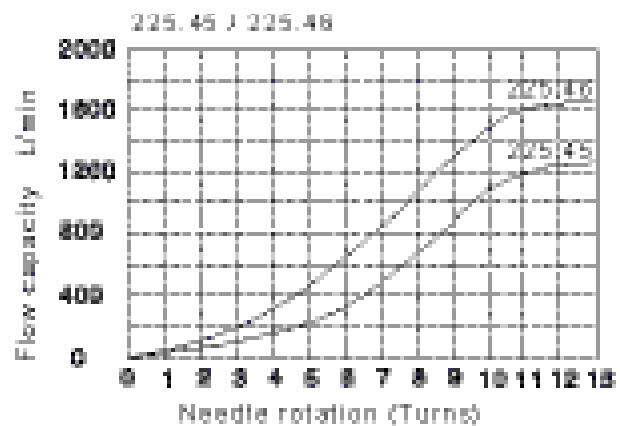
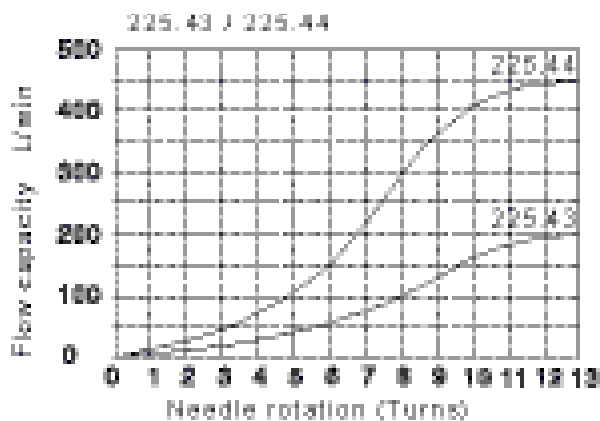
Product features

- These valves are restricted in the flow direction and have free passage in the opposite direction.
- In block design.
- Install in separate positions.

Valve's specification

Art. No.	225.43	225.44	225.45	225.46	
Fluid	Air (to be filtered by $\leq 40 \mu\text{m}$ filter element)				
Port size	1/8"	1/4"	3/8"	1/2"	
Pressure range	0.5 to 9.5 bar (0.05 to 0.95 MPa; 7 to 135 psi)				
Proof pressure	15 bar (1.5 MPa; 215 psi)				
Temperature range	-20 to 70 °C				
Material of body	Aluminum alloy				
Flow (L/min)	Control flow	200	450	1250	1650
	Free flow	400	800	1500	2500

Flow chart

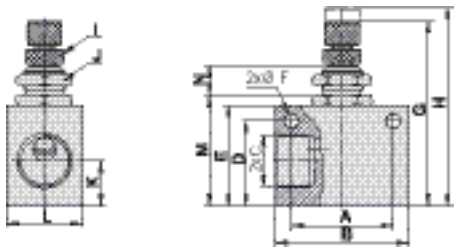


»ASC« Series

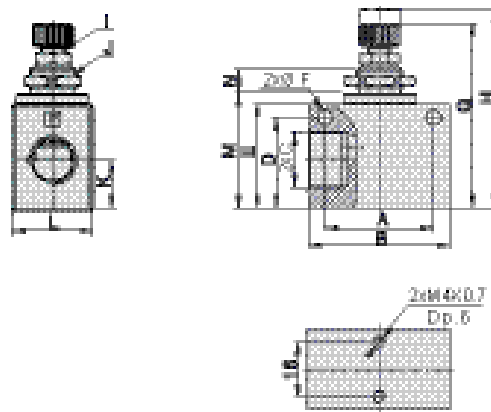
225.43–225.46

Dimensions

225.43–225.44



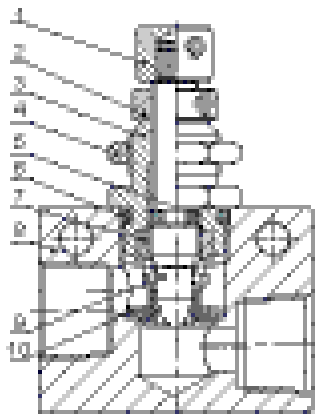
225.45–225.46



Art. No.	A	B	C	D	E	F	G	H	I	J	K	L	M	N
225.43	22	32	1/8"	18	23	4.3	46.8	52.3	M6x0.5	M12x0.75	10	18	26	8.6
225.44	26	36	1/4"	23	27	4.3	50.8	56.3	M6x0.5	M12x0.75	13.5	18	30	8.6
225.45	35	50	3/8"	32	37	5.3	65	74	M8x0.75	M16x1.0	17.5	28	40.5	10.2
225.46	35	50	1/2"	32	37	5.3	65	74	M8x0.75	M16x1.0	17.5	28	40.5	10.2

(Values in mm, exception C = inch)

Components and materials



No.	Item	Material
1	Adjustment screw	Brass, nickel plated
2	Clamping nut	Brass, nickel plated
3	Throttle body	Aluminium alloy
4	Hexagon nut	Brass, nickel plated
5	O-ring	NBR
6	O-ring	NBR
7	Throttle insert	Aluminium alloy
8	Body	Aluminium alloy
9	Throttle spindle	Brass
10	Gasket	NBR