

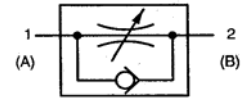


Unidirectional flow control valve

Block design

225.32 to 225.36

M 5, G 1/8 to G 1/2



Characteristics

Type of construction	Unidirectional flow control valve in block design
Mounting type	Through holes In-line Panel mounting
Mounting position	Any
Temperature Medium / ambient	-10 to +70°C
Pneumatic	
Working pressure range	2 to 10 bar
Adjustment	With knurled screw, locked with lock nut
Flow direction	Restricted from 1 to 2 Unrestricted from 2 to 1
Flow rates	See diagrams

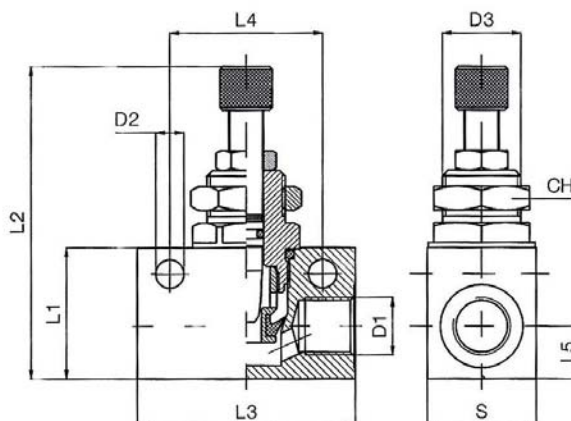
Order No.	Port (thread)
225.32	M 5
225.33	G 1/8
225.34	G 1/4
225.35	G 3/8
225.36	G 1/2

Function

- Restricted in one direction,
free passage in the other

Dimensions

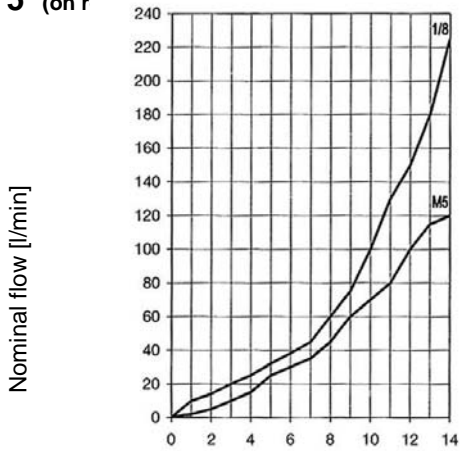
Order No.	D ₁	D ₂	D ₃	L ₁	L _{2max}	L ₃	L ₄	L ₅	S	CH	Weight (g)
225.32	M5	3.2	9 x 0.75	15	37	25	18	7	12	11	19
225.33	G 1/8	4.5	12 x 0.75	21	56	34	24	8	16	15	50
225.34	G 1/4	6.5	18 x 1.5	30	75	50	35	12	25	22	160
225.35	G 3/8	6.5	18 x 1.5	30	75	58	40	12	25	22	170
225.36	G 1/2	6.5	22 x 1.5	40	92	65	50	17	30	26	300



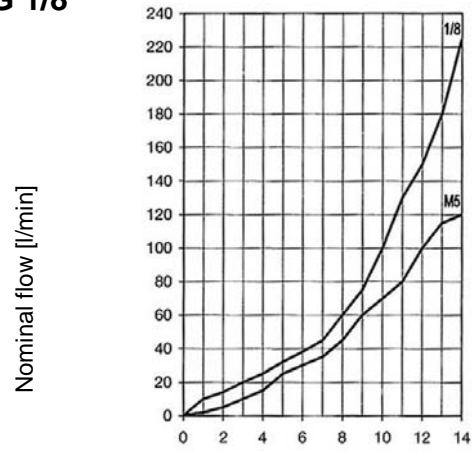
Part	Materials
Body	Anodised Al
Nipple	CW 614 N
Control head	CW 614 N
Throttle valve	CW 614 N
Stem	CW 614 N
Fixing nut	CW 614 N
O-ring	NBR
Locking ring	CW 614 N

Nominal flow [l/min]

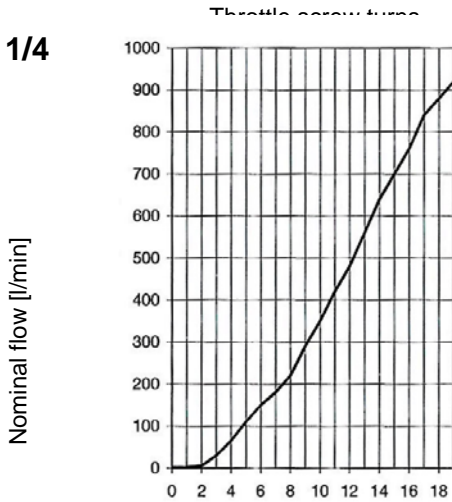
M 5 (on r)



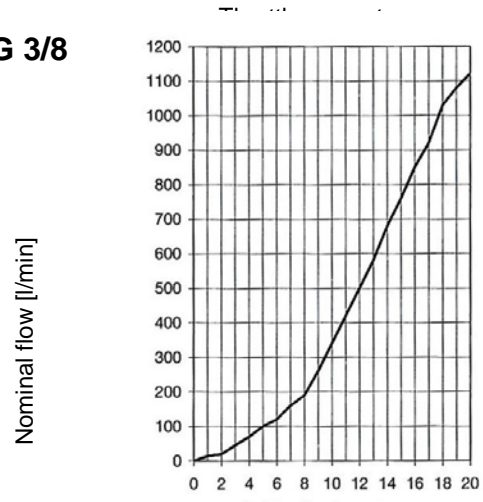
G 1/8



G 1/4



G 3/8



G 1/2

