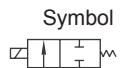



»2W« Series / Brass type

MV 1501–MV 1514, MVH 1501–MVH 1514


Product features

- The valves do not require a minimum working pressure.
- The valves can be mounted in any position with no functional restrictions.
- The high-quality materials which are used for the valves and a series of extensive tests guarantee a long service life.
- The solenoid valves are in line with international standards.

Valve's specification

Acting	Direct acting				
Initial status	Normally closed				
Adaptable fluid ¹⁾	Air, Water, Oil, Vacuum				
Viscosity limit	Under 20 CST (mm ² /s)				
Ambient and fluid temperature (°C)		Water	Air	Oil	Ambient
	Max.	80	90	80	70
	Min.	1	-20 ²⁾	-10 ³⁾	-20

¹⁾ In vacuum, the inlet and outlet should be instated reversibly;

²⁾ Dew point: -20 (°C) or less;

³⁾ 50 CST or less.

Specifications / Technical data

Art. No.	Power type	Port size	Nominal width (mm)	Cv	Weight (g)	Max. operating pressure difference		Proof pressure	
						bar	psi	bar	psi
MV 1501	230 V AC, 50 Hz	1/8"	3.0	0.33	305	10	150	50	750
MV 1502		1/4"							
MV 1503		3/8"	1.5	0.10	305	30	450		
MV 1504		1/2"							
MVH 1501		1/8"	3.0	0.33	305	10	150		
MVH 1502		1/4"							
MVH 1503		3/8"	1.5	0.10	305	30	450		
MVH 1504		1/2"							
MV 1511	24 V DC	1/8"	3.0	0.33	305	10	150	50	750
MV 1512		1/4"							
MV 1513		3/8"	1.5	0.10	305	30	450		
MV 1514		1/2"							
MVH 1511		1/8"	3.0	0.34	600	30	450		
MVH 1512		1/4"							
MVH 1513		3/8"	1.5	0.10	305	30	450		
MVH 1514		1/2"							

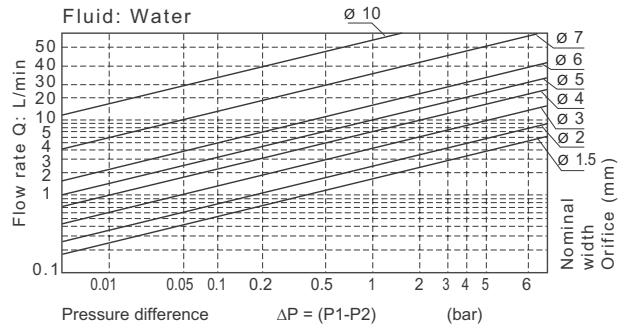
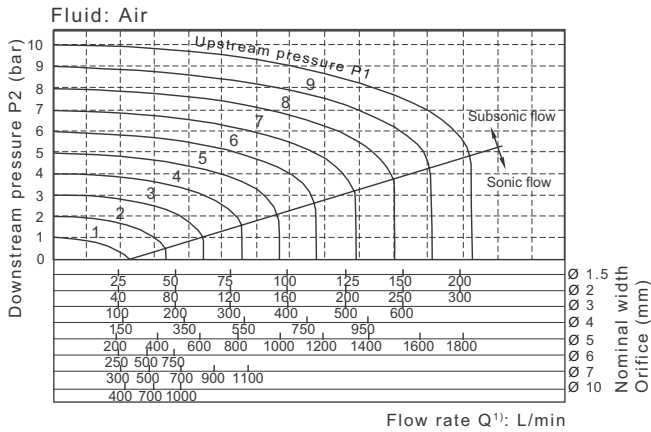
Ordering information

Art. No.	Type
MV 1501–MV 1504	Normally closed, (NC), directly operated, 230 V, 50 Hz, standard type
MVH 1501–MVH 1504	Normally closed, (NC), directly operated, 230 V, 50 Hz, for high pressures
MV 1511–MV 1514	Normally closed, (NC), directly operated, 24 V DC, standard type
MVH 1511–MVH 1514	Normally closed, (NC), directly operated, 24 V DC, for high pressures

»2W« Series / Brass type

MV 1501–MV 1514, MVH 1501–MVH 1514

Flow chart



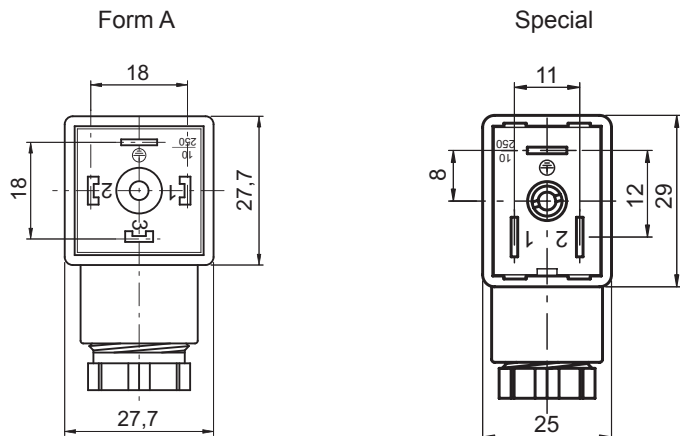
¹) Flow rates are based on standard conditions (temperature 20 °C, ambient pressure 1013 mbar, relative air humidity 65%)

Specification of coil

Valve size	Coil type	Power type ¹⁾	Frequency (Hz) ¹⁾	Voltage range	Electrical entry	Power Consumption (VA/W)	Insulation/ protection	Temp rise (°C)
G 1/8", G 1/4"	CDA116 A	230 V AC	50	±15%	Terminal (CDA)	10.0 VA	Class B IP65	35
	CDA116 B	24 V DC	-	±10%		6.5 W		30
G 3/8", G 1/2"	CDA170 A	230 V AC	50	±15%		25.0 VA		60
	CDA170 B	24 V DC	-	±10%		10.5 W		40

¹) Other voltage or frequency on request.

Art. No.	Connector socket
MV 1501	Special (similar to form B)
MV 1502	Special (similar to form B)
MV 1503	Form A acc. to ISO 4400
MV 1504	Form A acc. to ISO 4400
MVH 1501	Special (similar to form B)
MVH 1502	Special (similar to form B)
MVH 1503	Form A acc. to ISO 4400
MVH 1504	Form A acc. to ISO 4400
MV 1511	Special (similar to form B)
MV 1512	Special (similar to form B)
MV 1513	Form A acc. to ISO 4400
MV 1514	Form A acc. to ISO 4400
MVH 1511	Special (similar to form B)
MVH 1512	Special (similar to form B)
MVH 1513	Form A acc. to ISO 4400
MVH 1514	Form A acc. to ISO 4400

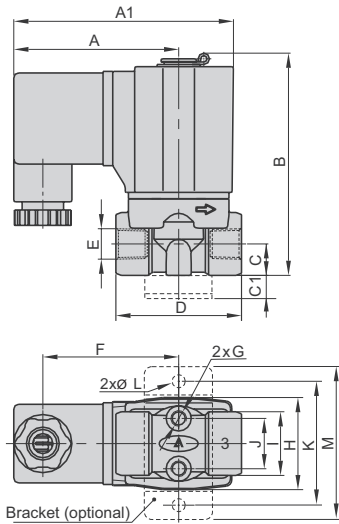


»2W« Series / Brass type

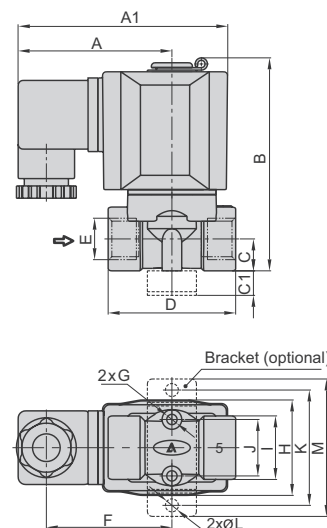
MV 1501–MV 1514, MVH 1501–MVH 1514

Dimensions

G 1/8", G 1/4"

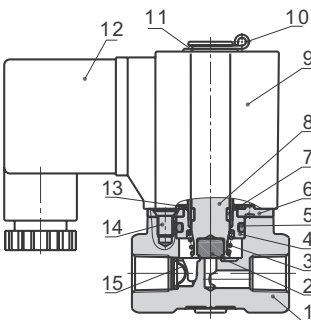


G 3/8", G 1/2"



Valve size	A	A1	B	C	C1	D	E	F	G	H	I	J	K	L	M
G 1/8"	52.5	70	70.7	10	10	40	1/8"	43.3	M5	29.3	20.2	16	40	5.3	49
G 1/4"	52.5	70	70.7	10	10	40	1/4"	43.3	M5	29.3	20.2	16	40	5.3	49
G 3/8"	62.7	85	87	13	10	52	3/8"	51.2	M5	39	26	23	48	5.3	56
G 1/2"	62.7	85	87	13	10	52	1/2"	51.2	M5	39	26	23	48	5.3	56

(Values in mm)

Components and materials


No.	Item	Material
1	Body	Brass
2	Gasket	FPM
3	Spring	Stainless steel
4	Fixed cap	Stainless steel
5	O-ring	FPM
6	Fixed plate	Steel
8	Movable core	Stainless steel
9	Coil	
10	Clip	Steel
11	Distance washer	Steel
12	Plug	Plastic
13	Spring washer	Steel
14	Screw	Steel
15	Filter	Stainless steel