

**Miniature solenoid valves
15 mm**

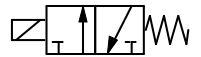
3/2-way

For assembly on manifold base

>MV 1051<
106642 + 106643

>MV 1052<
106644 + 106645

**Normally closed
Directly operated**



>MV 1061<
106646 + 106647

>MV 1062<
106648 + 106649

**Normally open
Directly operated**



Description

- The electromagnetic valves in the **MV 1051 to MV 1062** series are directly operated 3/2-way valves.
- They can be supplied with an NC or NO function and for 12 V DC or 24 V DC.
- The coils can be rotated 180°.
- Flange types are available for assembly on individual or multiple manifold bases.
- Monostable manual operator.
- Two fixing screws and one flange gasket included.
- Connection plug with 300 or 500 mm long cable (1000 mm on request).

Characteristics

General		
Type of construction		Directly operated seat valve
Function		3/2-way, NC / NO
Type of operation		Electrically or manually operated
Port		For assembly on manifold base
Manual control		non-latching
Pneumatic		
Medium		Compressed air, filtered, unlubricated
Pressure range	NC	0 to 7 bar
	NO	0 to 5 bar
Nominal diameter		1.5 mm
Medium temperature		-5 °C to +45 °C
Flow rate		QN (p1=6 bar, Δp=1bar) =50 NI/min
Max. switching frequency/min.		2400
Service life		50 million switching operations
Electrical		
Voltage		12 V / DC, 24 V / DC
Max. permissible voltage fluctuation		-5% / +10%
Power input		2.5 W
Opening/closing time		10 to 12 ms
Degree of protection		IP00, IP65 with cable end, IP65 with connector

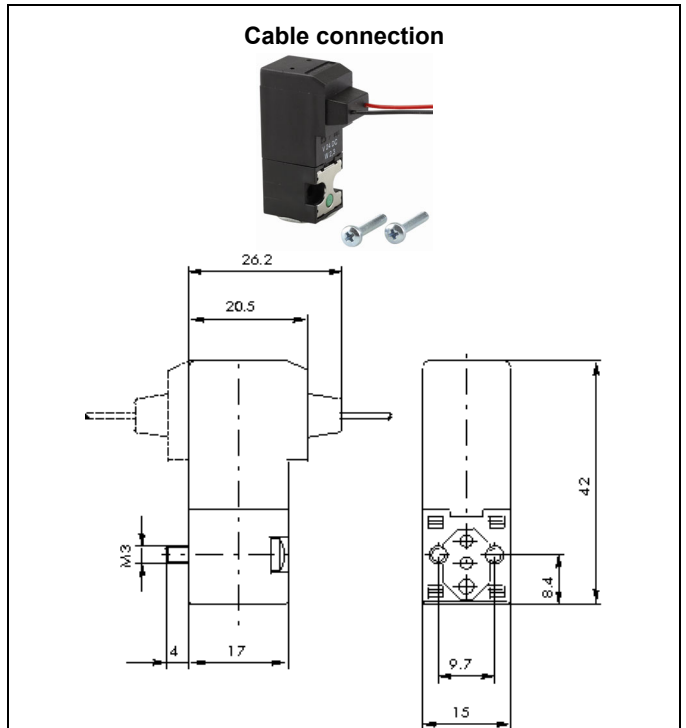
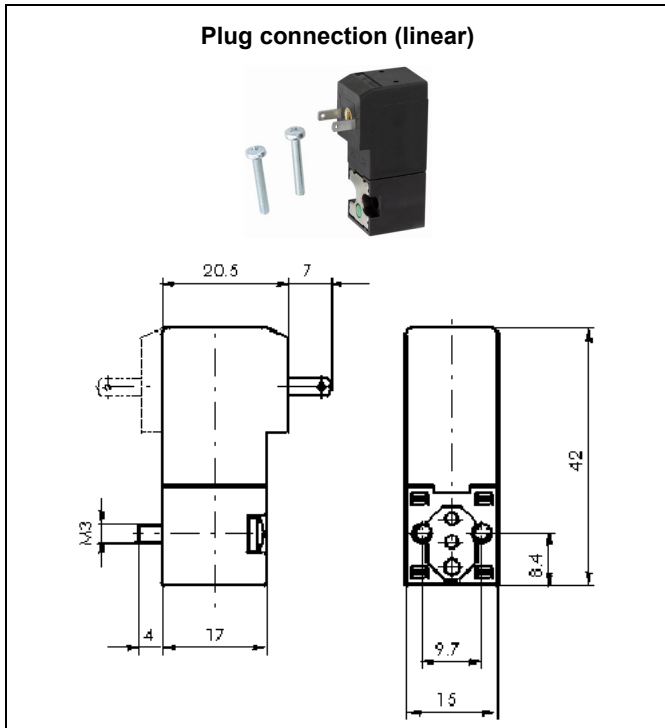
Materials

Part	Material
Body	PA (Minlon®)
Seals	NBR
Manifold base conn. surface	Stainless steel
Fastener	Aluminium
Manifold base	Aluminium

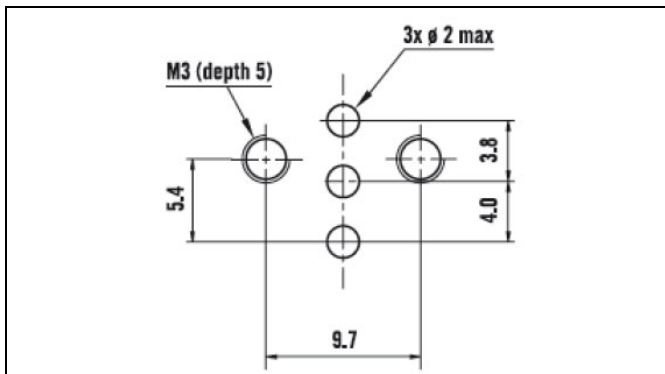
Ordering information

- The solenoid valves are delivered in single packs
- Two fixing screws and one flat gasket included
- The scope of supply does **not** include the connection plug

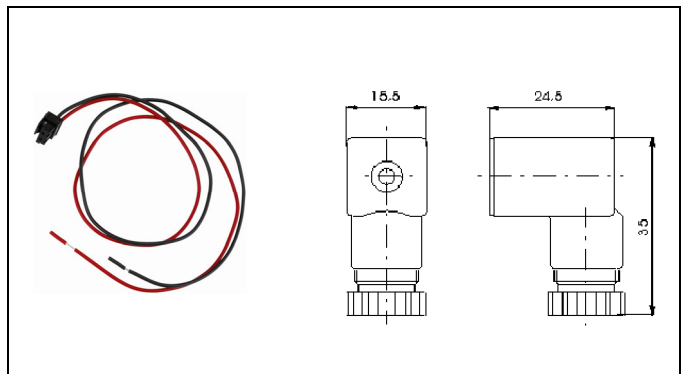
Dimensions



Connection geometry



Plug with cable



Function diagram

3/2 NC (normally closed)

3/2 NO (normally open)

1⇒ Pressure input
2⇒ Application
3⇒ Exhaust air



Position 1 (normal position)



Position 2



Position 1 (normal position)



Position 2

Manifold bases

Multiple manifold base

No. of valves	B	C	Weight [g]
2	37.0	44.0	66
3	53.0	60.0	92
4	69.0	76.0	116
5	85.0	92.0	141
6	101.0	108.0	165
7	117.0	124.0	190
8	133.0	140.0	216
9	149.0	156.0	242
10	165.0	172.0	266

Individual manifold base

Fastener