

Accessories

Rod eyes

179929 - 179939

Product features

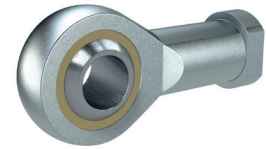
Rod eyes conforming to ISO 8139 and DIN 648-K standards.
 Self-lubricating and maintenance-free.
 To be mounted on the piston rod thread.

Temperature range

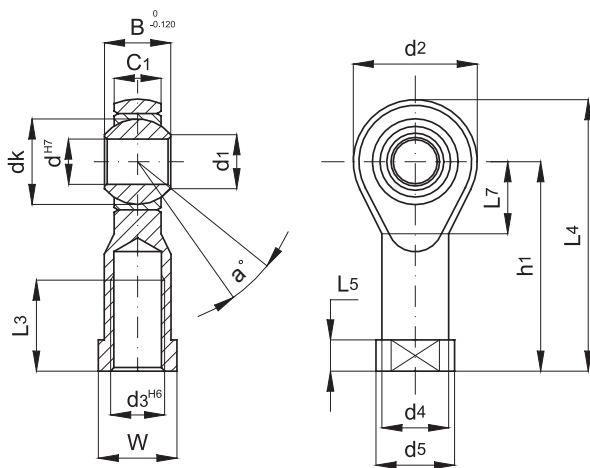
-30 °C to 150 °C

Material

Body: Zinc / nickel-plated steel
 Sphere: Hardened ground polished steel
 External ring: Self-lubricating brass/PTFE



Exemplary illustration



Dimensions

Art. No.	Type No.	For cylinders	Suitable for piston Ø	d	d ₃	B	C ₁	d ₁	d ₂	d ₄	d ₅	dk
179929	GEKAP6M4	ISO 6432	8-10	5.0	M4	8.0	6.0	7.7	18.0	9.0	11.0	11.112
179930	GEKAP6M6	ISO 6432	12-16	6.0	M6	9.0	6.75	8.9	20.0	10.0	13.0	12.700
179931	GEKAP6M8	ISO 6432 ISO 21287	20 20-25	8.0	M8	12.0	9.0	10.4	24.0	12.5	16.0	15.875
179932	GEKAP6M10X125	ISO 6432 Round cylinder* ISO 21287 ISO 15552	25 32 32-40 32	10.0	M10x1.25	14.0	10.5	12.9	28.0	15.0	19.0	19.050
179933	GEKAP6M12X125	Round cylinder* ISO 21287 ISO 15552	40 50-63 40	12.0	M12x1.25	16.0	12.0	15.4	32.0	17.5	22.0	22.225
179934	GEKAP6M16X15	Round cylinder* ISO 21287 ISO 15552	50 80-100 50-63	16.0	M16x1.5	21.0	15.0	19.3	42.0	22.0	27.0	28.575
179935	GEKAP6M20X15	ISO 21287 ISO 15552	125 80-100	20.0	M20x1.5	25.0	18.0	24.3	50.0	27.5	34.0	34.925
179936	GEKAP6M27X2	ISO 15552	125	30.0	M27x2	37.0	25.0	34.8	70.0	40.0	50.0	50.800
179937	GEKAP6M36X2	ISO 15552	160-200	35.0	M36x2	43.0	28.0	37.7	80.0	46.0	58.0	57.150
179938	GEKAP6M42X2	ISO 15552	250	40.0	M42x2	49.0	33.0	45.2	91.0	53.0	65.0	66.670
179939	GEKAP6M48X2	ISO 15552	320	50.0	M48x2	60.0	45.0	56.6	117.0	65.0	75.0	82.500

(Values in mm)

* not ISO 6432

Pneumatic cylinder rod-end spherical eye mounting dimensions in accordance with ISO 8139:2009: Pneumatic fluid power - Cylinders, 1000 kPa (10 bar) series - Mounting dimensions of rod-end spherical eyes.

Accessories

Rod eyes

179929 - 179939

Product features

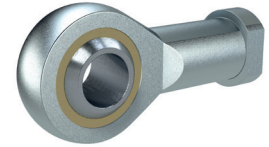
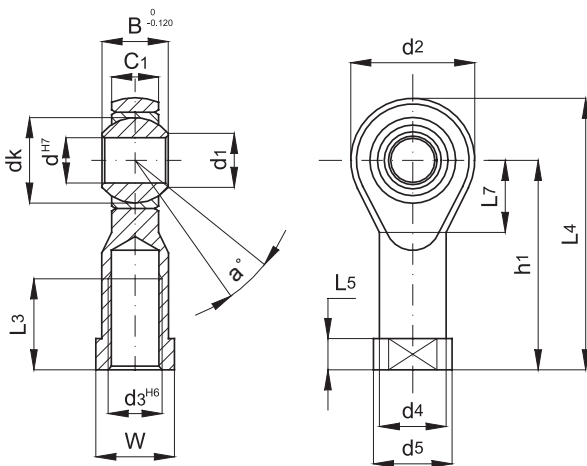
Rod eyes conforming to ISO 8139 and DIN 648-K standards.
Self-lubricating and maintenance-free.
To be mounted on the piston rod thread.

Temperature range

-30 °C to 150 °C

Material

Body: Zinc / nickel-plated steel
Sphere: Hardened ground polished steel
External ring: Self-lubricating brass/PTFE



Exemplary illustration

Dimensions

Art. No.	Type No.	For cylinders	Suitable for piston Ø	h_1	L_3	L_4	L_5	L_7	W	Static load (daN)	α (°)	Weight (g)
179929	GEKAP6M4	ISO 6432	8-10	27.0	10.0	36.0	4.0	10.0	9.0	600.0	13.0	19.0
179930	GEKAP6M6	ISO 6432	12-16	30.0	12.0	40.0	5.0	11.0	11.0	700.0	13.0	26.0
179931	GEKAP6M8	ISO 6432 ISO 21287	20 20-25	36.0	16.0	48.0	5.0	13.0	14.0	1200.0	14.0	46.0
179932	GEKAP6M10X125	ISO 6432 Round cylinder* ISO 21287 ISO 15552	25 32 32-40 32	43.0	20.0	57.0	6.5	15.0	17.0	1400.0	13.0	75.0
179933	GEKAP6M12X125	Round cylinder* ISO 21287 ISO 15552	40 50-63 40	50.0	22.0	66.0	6.5	17.0	19.0	1900.0	13.0	112.0
179934	GEKAP6M16X15	Round cylinder* ISO 21287 ISO 15552	50 80-100 50-63	64.0	28.0	85.0	8.0	23.0	22.0	4800.0	15.0	220.0
179935	GEKAP6M20X15	ISO 21287 ISO 15552	125 80-100	77.0	33.0	102.0	10.0	27.0	30.0	5200.0	14.0	406.0
179936	GEKAP6M27X2	ISO 15552	125	110.0	51.0	145.0	15.0	36.0	41.0	10800.0	17.0	1120.0
179937	GEKAP6M36X2	ISO 15552	160-200	125.0	56.0	165.0	17.0	41.0	50.0	12400.0	19.0	1595.0
179938	GEKAP6M42X2	ISO 15552	250	142.0	60.0	187.5	19.0	45.0	55.0	-	17.0	-
179939	GEKAP6M48X2	ISO 15552	320	160.0	65.0	218.5	23.0	58.0	65.0	-	12.0	-

(Values in mm)

* not ISO 6432

Pneumatic cylinder rod-end spherical eye mounting dimensions in accordance with ISO 8139:2009: Pneumatic fluid power - Cylinders, 1000 kPa (10 bar) series - Mounting dimensions of rod-end spherical eyes.