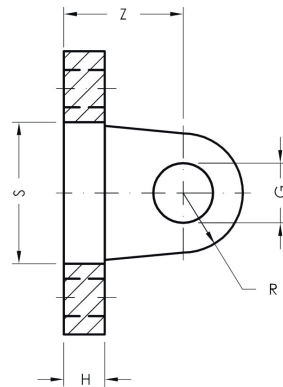
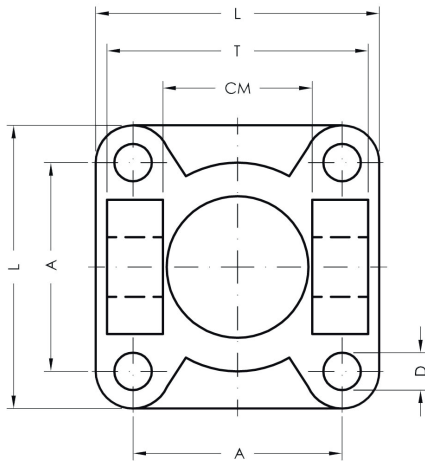


Fixing parts and accessories

Female hinge model. CETOP

with 4 screws. 1 bolt and retainer ring

Art. No. 156792 to 156800 (Type No. 453.135 to 453.143)



Dimensions

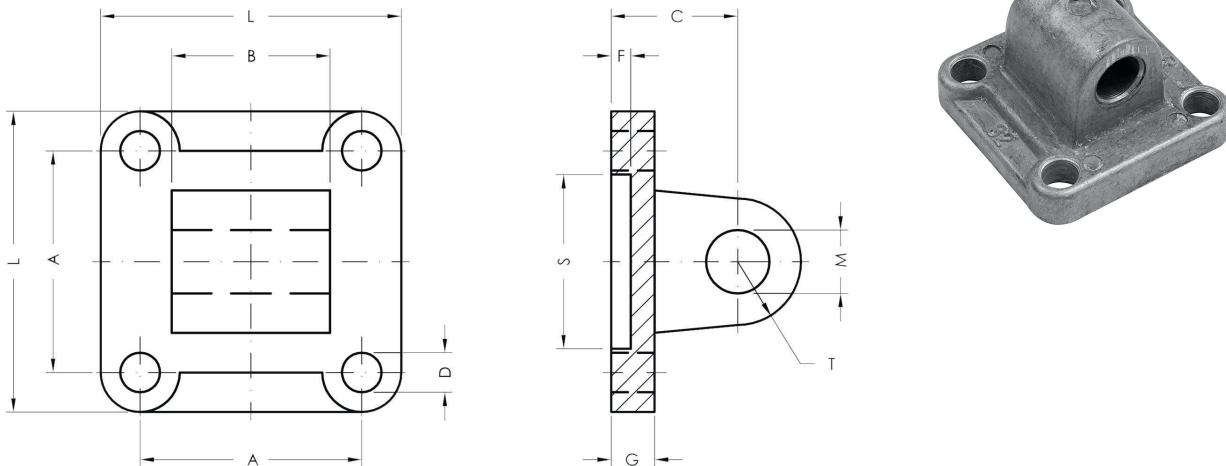
Art. No.	Type No.	Piston-Ø	A	L	D	H	CM	T	S	R	Z	G	Material	Weight (g)
156792	453.135	32	33.0	45.0	7.0	8.0	26.0	45.0	25.0	10.0	20.0	10.0	Aluminium	42.0
156793	453.136	40	40.0	52.0	7.0	8.0	28.0	52.0	32.0	12.0	23.0	12.0	Aluminium	60.0
156794	453.137	50	49.0	65.0	9.0	10.0	32.0	60.0	32.0	12.0	25.0	12.0	Aluminium	108.0
156795	453.138	63	59.0	75.0	9.0	10.0	40.0	70.0	45.0	16.0	30.0	16.0	Aluminium	155.0
156796	453.139	80	75.0	95.0	11.0	12.0	50.0	90.0	45.0	16.0	32.0	16.0	Aluminium	284.0
156797	453.140	100	90.0	115.0	11.0	12.0	60.0	110.0	55.0	20.0	37.0	20.0	Aluminium	554.0
156798	453.141	125	110.0	140.0	14.0	16.0	70.0	130.0	55.0	25.0	46.0	25.0	Aluminium	960.0
156799	453.142	160	140.0	180.0	18.0	20.0	90.0	170.0	65.0	25.0	55.0	30.0	Aluminium	1720.0
156800	453.143	200	175.0	220.0	18.0	20.0	90.0	170.0	65.0	25.0	55.0	30.0	Aluminium	2400.0

(Values in mm)

Fixing parts and accessories

Male hinge model, CETOP with 4 screws

Art. No. 156801 to 156809 (Type No. 453.144 to 453.152)



Dimensions

Art. No.	Type No.	Piston-Ø	A	L	D	G	F	T	S	B	C	M	Material	Weight (g)
156801	453.144	32	33.0	45.0	7.0	8.0	3.5	10.0	25.0	26.0	20.0	10.0	Aluminium	52.0
156802	453.145	40	40.0	55.0	7.0	8.0	3.5	12.0	32.0	28.0	23.0	12.0	Aluminium	78.0
156803	453.146	50	49.0	65.0	9.0	8.0	4.0	12.0	32.0	32.0	25.0	12.0	Aluminium	102.0
156804	453.147	63	59.0	75.0	9.0	10.0	4.0	16.0	45.0	40.0	30.0	16.0	Aluminium	188.0
156805	453.148	80	75.0	95.0	11.0	12.0	4.0	16.0	45.0	50.0	32.0	16.0	Aluminium	318.0
156806	453.149	100	90.0	115.0	11.0	12.0	4.0	20.0	55.0	60.0	37.0	20.0	Aluminium	520.0
156807	453.150	125	110.0	140.0	14.0	16.0	7.0	25.0	55.0	70.0	46.0	25.0	Aluminium	1062.0
156808	453.151	160	140.0	180.0	18.0	20.0	7.0	25.0	65.0	90.0	55.0	30.0	Aluminium	1878.0
156809	453.152	200	175.0	220.0	18.0	20.0	7.0	25.0	65.0	90.0	55.0	30.0	Aluminium	2500.0

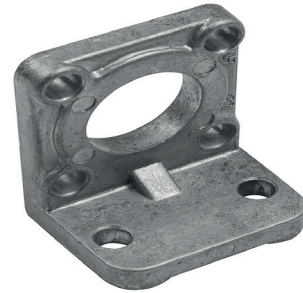
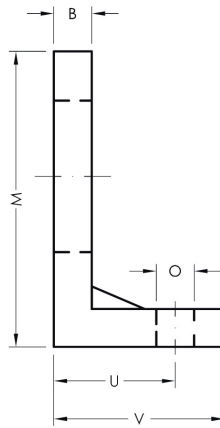
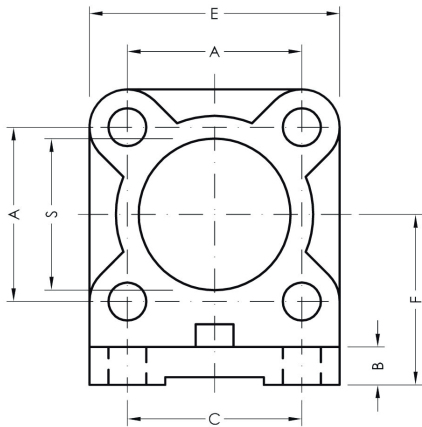
(Values in mm)

Fixing parts and accessories

Angle flange, CETOP

1 piece with 4 screws

Art. No. 156810 to 156818 (Type No. 453.153 to 453.161)



Dimensions

Art. No.	Type No.	Piston-Ø	A	B	C	D	E	F	M	O	S	U	V	Material	Weight (g)
156810	453.153	32	33.0	8.0	32.0	7.0	45.0	32.0	54.5	7.0	25.0	22.0	35.0	Aluminium	50.0
156811	453.154	40	40.0	8.0	36.0	7.0	52.0	36.0	62.0	9.0	32.0	26.0	35.0	Aluminium	70.0
156812	453.155	50	49.0	10.0	45.0	9.0	65.0	45.0	78.0	9.0	32.0	30.0	45.0	Aluminium	156.0
156813	453.156	63	59.0	10.0	50.0	9.0	75.0	50.0	87.0	9.0	45.0	30.0	45.0	Aluminium	173.0
156814	453.157	80	75.0	12.0	63.0	11.0	95.0	63.0	110.0	12.0	45.0	37.0	55.0	Aluminium	358.0
156815	453.158	100	90.0	12.0	75.0	11.0	115.0	71.0	130.0	14.5	55.0	37.5	55.0	Aluminium	472.0
156816	453.159	125	110.0	16.0	90.0	14.0	140.0	91.0	161.0	16.0	55.0	41.0	68.0	Aluminium	938.0
156817	453.160	160	140.0	21.0	115.0	18.0	180.0	115.0	205.0	18.0	65.0	60.0	82.0	Aluminium	2300.0
156818	453.161	200	175.0	21.0	135.0	18.0	220.0	135.0	245.0	22.0	65.0	65.0	92.0	Aluminium	3300.0

(Values in mm)