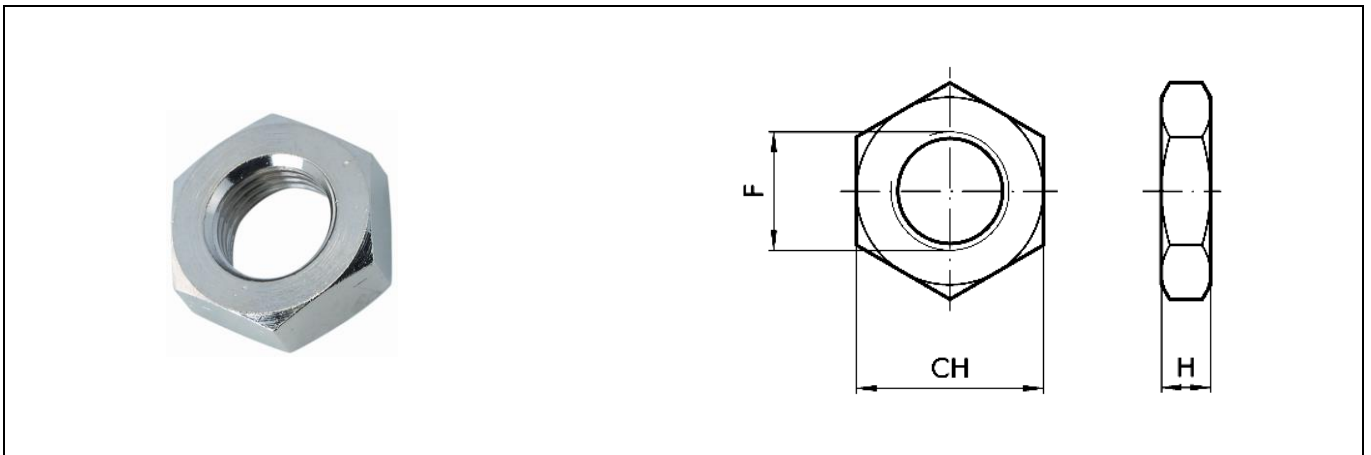


**Fixing parts and accessories**
**Accessories for piston rod**
**Rod nut**
**Dimensions [mm]**

Type No.	Piston Ø	F	H	CH				Material	Weight [g]
436.33-M	32	M10x1.25	6	17				steel	6
435.82-M	40	M12x1.25	7	19				brass	12
435.83-M	50	M16x1.5	8	24				brass	20
435.83-M	63	M16x1.5	8	24				brass	20
450.84-M	80	M20x1.5	9	30				steel	32
450.84-M	100	M20x1.5	9	30				steel	32
450.85-M	125	M27x2	12	41				steel	74



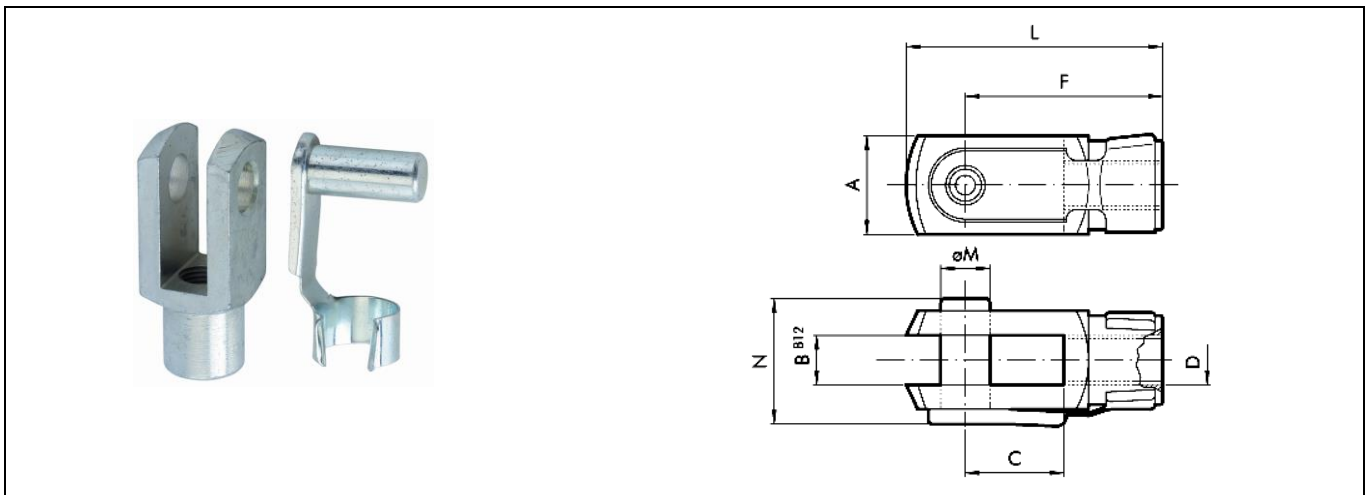
## Fixing parts and accessories

### Accessories for piston rod

#### Fork model

### Dimensions [mm]

Type No.	Piston Ø	Ø M	C	B	A	L	F	D	N	Weight [g]
450.51-M	32	10	20	10	20	52	40	M10x1.25	26	92
450.52-M	40	12	24	12	24	62	48	M12x1.25	32	148
450.53-M	50	16	32	16	32	83	64	M16x1.5	40	340
450.53-M	63	16	32	16	32	83	64	M16x1.5	40	340
450.54-M	80	20	40	20	40	105	80	M20x1.5	48	690
450.54-M	100	20	40	20	40	105	80	M20x1.5	48	690
450.55-M	125	30	54	30	55	148	110	M27x2	65	1835



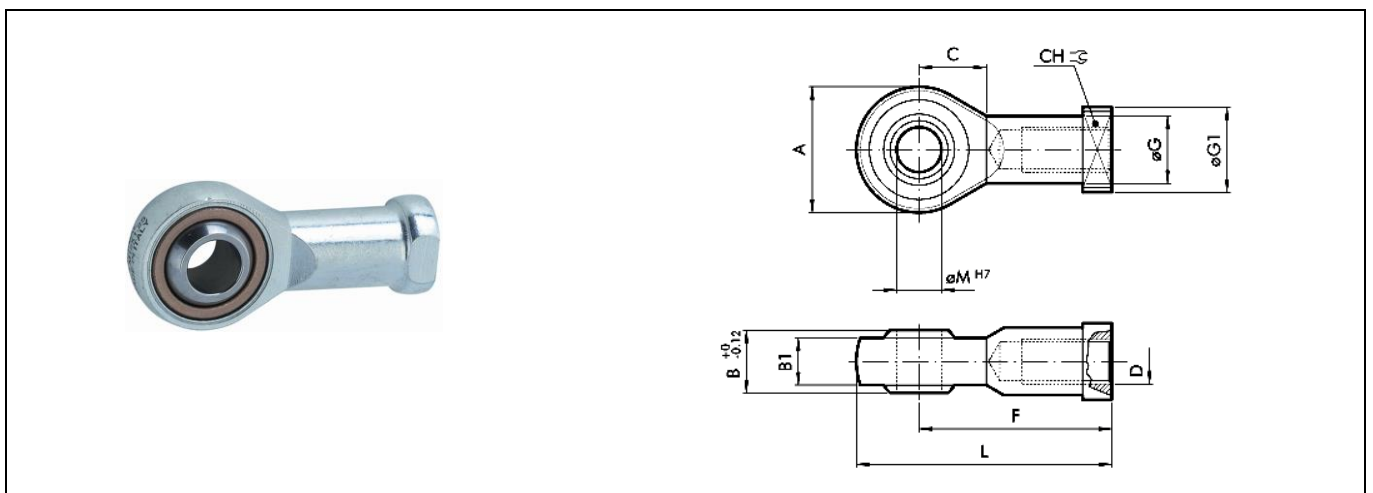
## Fixing parts and accessories

### Accessories for piston rod

#### Rod eye model

### Dimensions [mm]

Type No.	Piston Ø	ØM	C	B <sub>1</sub>	B	A	L	F	D	ØG	CH	ØG <sub>1</sub>	Weight [g]
450.410-M	32	10	15	10.5	14	28	57	43	M10x1.25	15	17	19	78
450.420-M	40	12	17	12	16	32	66	50	M12x1.25	17.5	19	19	116
450.430-M	50	16	22	15	21	42	85	64	M16x1.5	22	22	22	226
450.430-M	63	16	22	15	21	42	85	64	M16x1.5	22	22	22	226
450.440-M	80	20	26	18	25	50	102	77	M20x1.5	27.5	30	27	404
450.440-M	100	20	26	18	25	50	102	77	M20x1.5	27.5	30	27	404
450.450-M	125	30	36	25	37	70	145	110	M27x2	40	41	50	1190



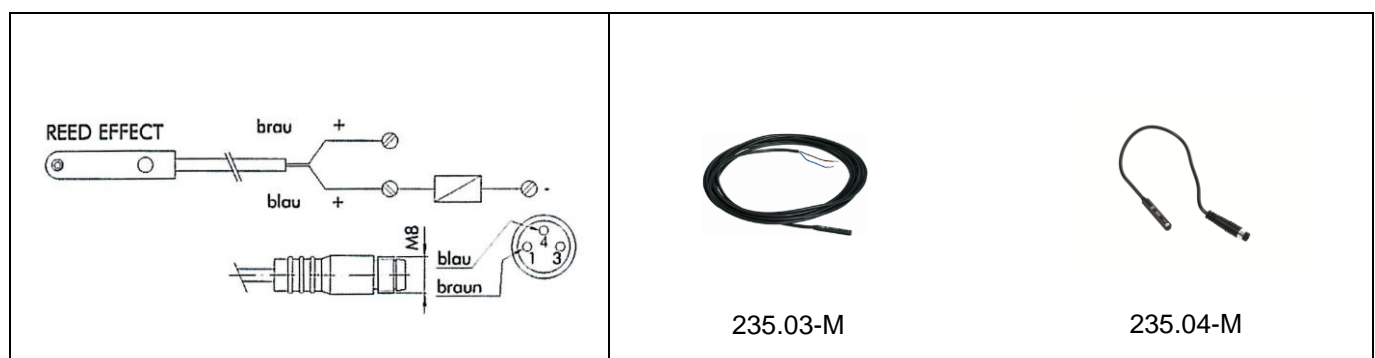
## Fixing parts and accessories

### Standard cylinders

#### Sensors

##### Dimensions [mm]

Type No.	Piston Ø	Designation
235.03-M	32-125	DSL reed sensor, 2-wire, NO, 2.5 m
235.04-M	32-125	DSL reed sensor, 2-wire , NO, 300 mm, M8 plug



#### Kit


##### Dimensions [mm]

Type No.	Piston Ø	Designation
235.05-M	32-125	Slotted fixing plate

#### Plastic strip for slot (500 mm)

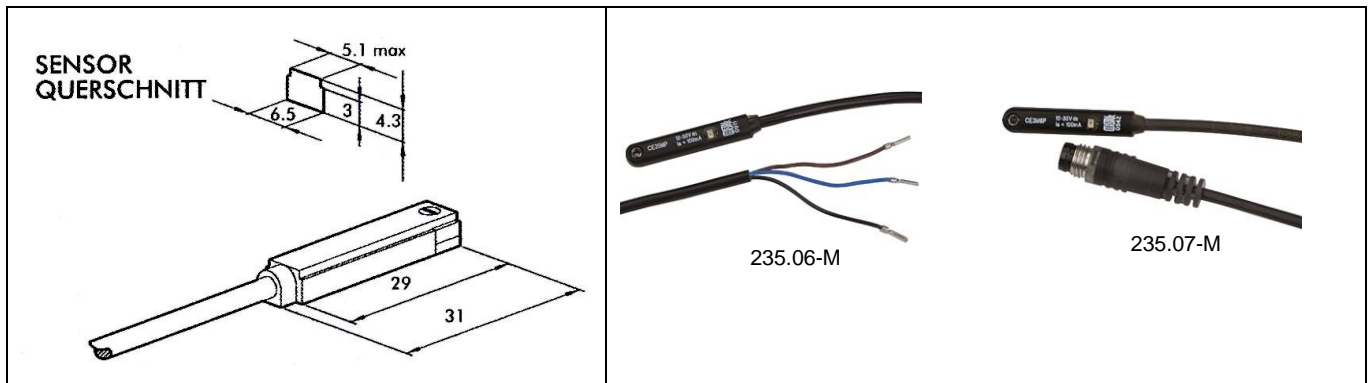
##### Dimensions [mm]

Type No.	Piston Ø	Material
455.06-M	32-125	PVC

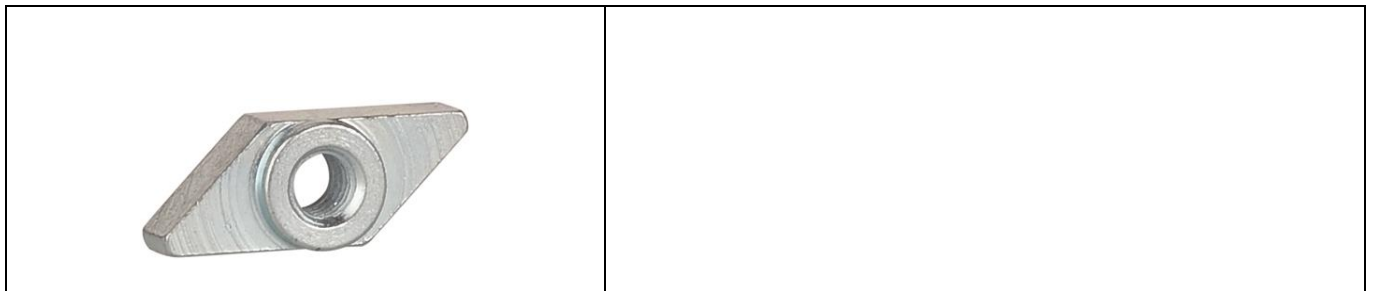


**Fixing parts and accessories**
**Standard cylinders**
**Sensor for T-slot**
**Dimensions [mm]**

Type No.	Piston Ø	Designation
235.06-M	32 - 125	Hall sensor, 3-wire, with 2.5 m cable length
235.07-M	32 - 125	Hall sensor, 3-wire, with M8 plug (3-pin)


**Threaded plate for T-slot**
**Dimensions [mm]**

Type No.	Designation	Material
235.11-M	Threaded plate M 4	steel
235.12-M	Threaded plate M 3	steel



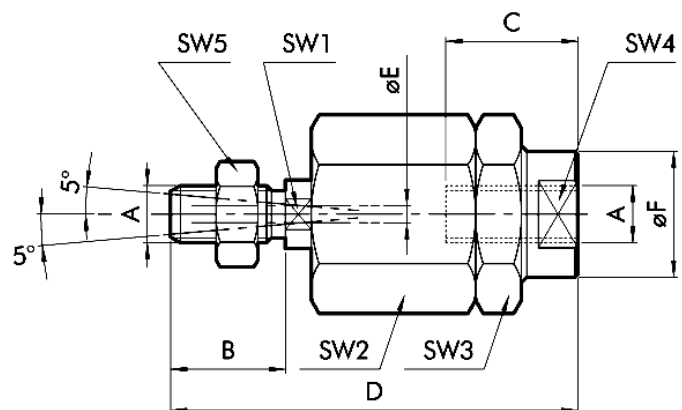
## Fixing parts and accessories

### Accessories for piston rod

#### Compensating coupling

### Dimensions [mm]

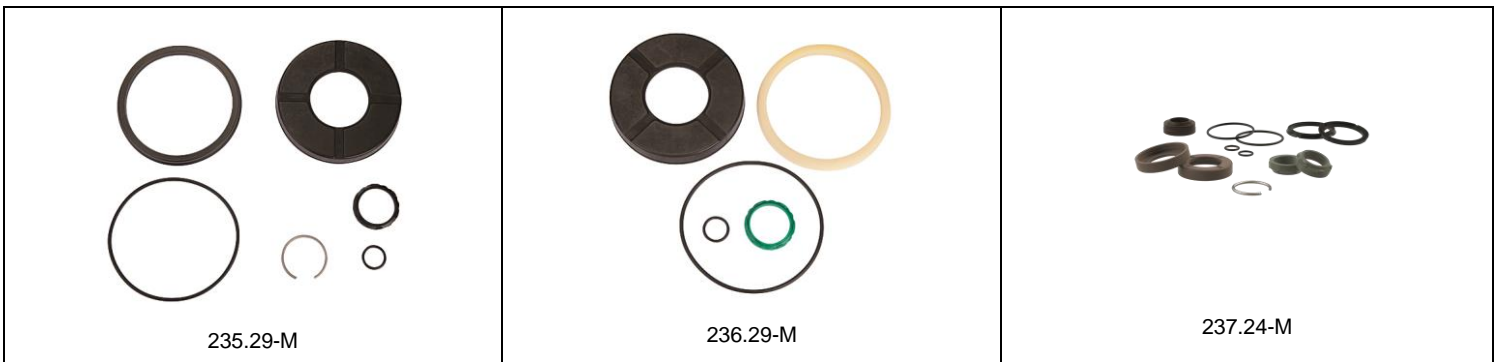
Type No.	Piston Ø	A	B	C	D	ØF	ØE	a/f <sub>1</sub>	a/f <sub>2</sub>	a/f <sub>3</sub>	a/f <sub>4</sub>	a/f <sub>5</sub>	Weight [g]
450.101-M	32	M10x1.25	20	20	71	22	4	12	30	30	19	17	216
450.102-M	40	M12x1.25	24	20	75	22	4	12	30	30	19	19	220
450.103-M	50	M16x1.5	32	32	103	32	4	20	41	41	30	24	620
450.103-M	63	M16x1.5	32	32	103	32	4	20	41	41	30	24	620
450.104-M	80	M20x1.5	40	40	119	32	4	20	41	41	30	30	680
450.104-M	100	M20x1.5	40	40	119	32	4	20	41	41	30	30	680



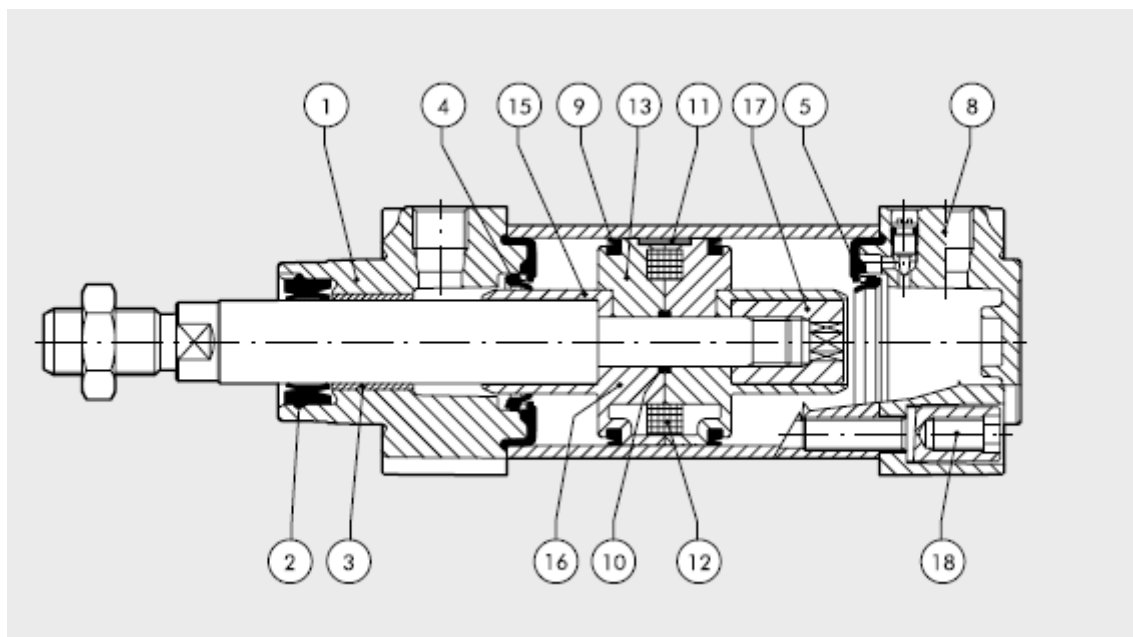
**Sets of gaskets**

**Dimensions [mm]**

Art. No.	Type No.	Piston Ø	Designation	Temperature range	Applications	Main feature
106285	235.23-M	32	NBR-Seal	-10 °C to 80 °C	Standard applications, also in humid environments	General use
106286	235.24-M	40	NBR-Seal			
106287	235.25-M	50	NBR-Seal			
106288	235.26-M	63	NBR-Seal			
106289	235.27-M	80	NBR-Seal			
106290	235.28-M	100	NBR-Seal			
106291	235.29-M	125	NBR-Seal			
106292	236.23-M	32	PU-Seal	-25 °C to 80 °C	Applications with long stroke lengths or a large number of strokes	Durable
106293	236.24-M	40	PU-Seal			
106294	236.25-M	50	PU-Seal			
106295	236.26-M	63	PU-Seal			
106296	236.27-M	80	PU-Seal			
106297	236.28-M	100	PU-Seal			
106298	236.29-M	125	PU-Seal			
122539	237.23-M	32	FKM/FPM-Seal	-10 °C to 150 °C (without magnet)	Industrial applications with chemical medium	High temperatures, chemicals
198282	237.24-M	40	FKM/FPM-Seal			
151370	237.25-M	50	FKM/FPM-Seal			
129696	237.26-M	63	FKM/FPM-Seal			
127354	237.27-M	80	FKM/FPM-Seal			
156465	237.28-M	100	FKM/FPM-Seal			
129697	237.29-M	125	FKM/FPM-Seal			



The sets of gaskets consist of the positions 2, 4, 5, 9 and 10





## Ordering information

Type No.	Art. No.
450.51-M	105741
450.52-M	105886
450.53-M	105887
450.54-M	106275
450.55-M	106276
450.410-M	105744
450.420-M	105888
450.430-M	105889
450.440-M	106277
450.450-M	106278
450.101-M	105890
450.102-M	105891
450.103-M	105892
450.104-M	106279
436.33-M	105738
435.82-M	106166
435.83-M	106167
450.84-M	106283
450.85-M	106284
235.03-M	105748
235.04-M	105749
235.06-M	105750
235.07-M	105751
235.11-M	106168
235.12-M	106169
235.23-M	106285
235.24-M	106286
235.25-M	106287
235.26-M	106288
235.27-M	106289
235.28-M	106290
235.29-M	106291
236.23-M	106292
236.24-M	106293
236.25-M	106294
236.26-M	109295
236.27-M	106296
236.28-M	106297
236.29-M	106298