


Cylinder -ISO 15552-

Double-acting

Ø 32 to 125 mm

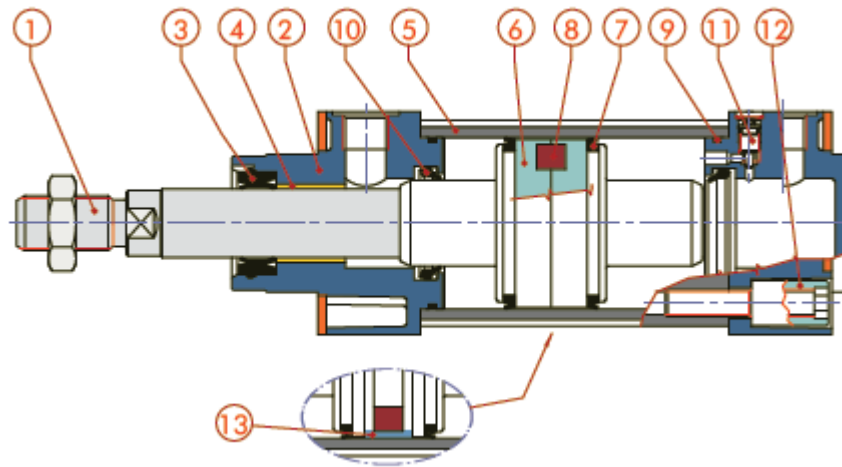
Sensor slot (retractable sensors)

Series 5.DMD.

Technical data

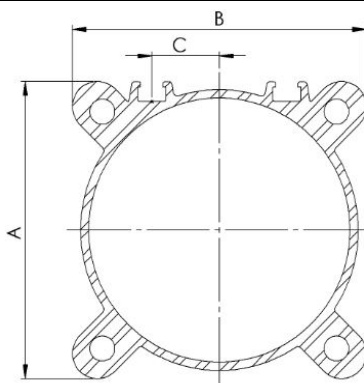
Max. working pressure		10 bar (1 MPa – 145 psi)						
Temperature range	Bore	NBR	Optional				Low-temp.	
			Polyurethane		FPM			
	32 to 63	-10 °C / +80 °C	-10 °C / +80 °C	-10 °C / +150 °C Non-magnetic cylinder		-35 °C / +80 °C		
		-10 °C / +80 °C Magnetic cylinder	-10 °C / +80 °C Magnetic cylinder					
80 to 125	-10 °C / +80 °C	-10 °C / +80 °C	-10 °C / +150 °C Non-magnetic cylinder		-35 °C / +80 °C			
	-10 °C / +80 °C Magnetic cylinder	-10 °C / +80 °C Magnetic cylinder						
Medium		Air (unlubricated) Important: If lubrication is used, the cylinder must be continuously operated with lubricated air						
Bore		32	40	50	63	80	100	125
Design features		- Aluminium body with jacket slot (retractable sensors) - Screwed heads						
Piston material		Piston Ø 32 to 63 = POM; Piston Ø 80 to 125 = Aluminium						
Standard strokes		Function		Bore [mm]		Stroke [mm]		
		Single-acting		32 to 63		25 to 250		
		Double-acting		32 to 80 100 to 125		25 to 2800 25 to 2600		
Versions		Double-acting (cushioned)						
		Options		Single-acting – retracted piston rod on spring side Through rod (cushioned) Long cushioning High-temperature version Piston rod lock Silencer Oil seal Through rod with oil seal Low-friction version Non-stick-slip version				
Sensing		Magnetic piston				Optional: Non-magnetic		
Set pressure		Bore		Stroke		Set pressure [bar]		
		32 / 40		All		0.4		
		50 / 63		< 1500		0.3		
				≥ 1500		0.4		
80 / 100 / 125		< 1500		0.2				
		≥ 1500		0.4				
Forces generated [6 bar]		See pressure-force table						
Lubrication		Supplied with continuous lubrication , no external lubrication						
Air quality		Filtered, at least 50 µm						

Materials



	Part	Standard	Optional
1	Piston rod	C 45 steel, hard chrome-plated	Stainless steel
2	Cover / base	Cast aluminium	
3	Piston rod gasket	NBR	Polyurethane, FPM
4	Guide bushing	Steel / bronze / PTFE insert	
5	Jacket	Drawn aluminium alloy	
6	Half-pistons	Self-lubricating plastic with integrated cushioning elements	
		Aluminium with PTFE tape	
7	Piston gaskets	NBR	Polyurethane / FPM
8	Magnet	Plastoferrite	
9	Static O-rings	NBR	FPM
10	Cushioning gasket	NBR	Polyurethane / FPM
11	Cushioning valve	MS 58 captive	
12	Screws	Top Tite	
13	PTFE pad - Standard type Ø 80 to 100 - High-temperature version - Single-acting version - Strokes > 1000 mm	PTFE	

Jacket cross-section

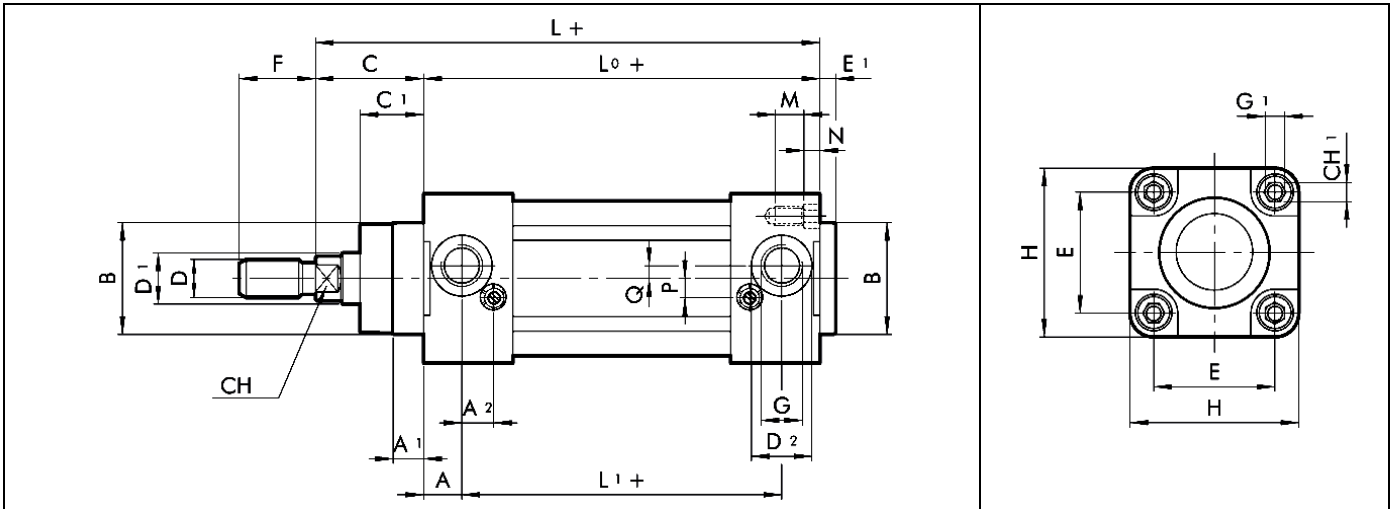


Ø 32 to Ø 125

Ø	A	B	C
32	44.4	44.4	6.5
40	51.0	51.0	9.4
50	60.8	60.8	11.2
63	70.9	70.9	16.3
80	87.0	87.0	20.5
100	105.5	105.5	26.5
125	131.0	131.0	32.0

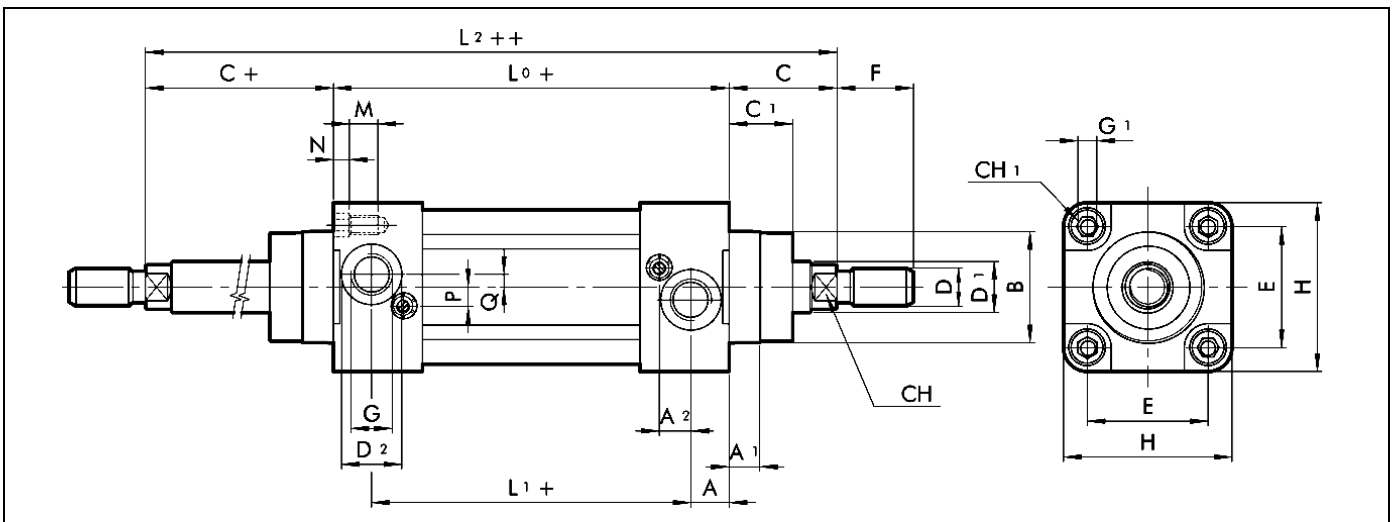
Dimensions

Standard type



+ = Add the stroke

Through rod



++ = Add twice the stroke

Ø	A	A ₁	A ₂	B	C	C ₁	CH	CH ₁	D	D ₁	D ₂	E	E ₁	F
32	10	7	10	30	26	16	10	6	M10 x 1.25	12	15	32.5	5	22
40	12	9	10	35	30	20	13	6	M12 x 1.25	16	19	38	5	24
50	14	1	10	40	37	25	17	8	M16 x 1.5	20	19	46.5	5	32
63	16	1	10	45	37	25	17	8	M16 x 1.5	20	23	56.5	5	32
80	18	1	12	45	46	33	22	10	M20 x 1.5	25	23	72	8	40
100	20	1	12	55	51	38	22	10	M20 x 1.5	25	27	89	8	40
125	25	2	10	60	65	45	27	12	M27 x 2	32	27	110	8	54

Ø	G	G ₁	H	L	L ₀	L ₁	L ₂	M	N	P	Q
32	G 1/8	M6	47	120	94	74	146	9	4.5	6	4
40	G 1/4	M6	53	135	105	81	165	9	4.5	6	4
50	G 1/4	M8	65	143	106	78	180	12	5.5	6	6
63	G3/8	M8	75	158	121	89	195	12	5.5	6	6
80	G3/8	M10	95	174	128	92	220	16	5.5	10	7
100	G 1/2	M10	115	189	138	98	240	16	5.5	10	7
125	G 1/2	M12	140	225	160	110	290	19	6.5	12	8

Ordering information

Art. No.	Ident No.
5.DMD.32025	106178
5.DMD.32050	106179
5.DMD.32080	106180
5.DMD.32100	106181
5.DMD.32125	106182
5.DMD.32160	106183
5.DMD.32200	106184
5.DMD.32250	106185
5.DMD.32320	106186
5.DMD.32400	106187
5.DMD.32500	106188
5.DMD.32600	106189
5.DMD.32800	106190
5.DMD.40025	106191
5.DMD.40050	106192
5.DMD.40080	106193
5.DMD.40100	106194
5.DMD.40125	106195
5.DMD.40160	106196
5.DMD.40200	106197
5.DMD.40250	106198
5.DMD.40320	106199
5.DMD.40400	106200
5.DMD.40500	106201
5.DMD.40600	106202
5.DMD.40800	106203
5.DMD.50025	106204
5.DMD.50050	106205
5.DMD.50080	106206
5.DMD.50100	106207
5.DMD.50125	106208
5.DMD.50160	106209
5.DMD.50200	106210
5.DMD.50250	106211
5.DMD.50320	106212
5.DMD.50400	106213
5.DMD.50500	106214
5.DMD.50600	106215
5.DMD.50800	106216
5.DMD.63025	106217
5.DMD.63050	106218
5.DMD.63080	106219
5.DMD.63100	106220
5.DMD.63125	106221
5.DMD.63160	106222
5.DMD.63200	106223
5.DMD.63250	106224
5.DMD.63320	106225
5.DMD.63400	106226
5.DMD.63500	106227
5.DMD.63600	106228
5.DMD.63800	106229

Ordering information

Art. No.	Ident No.
5.DMD.80025	106230
5.DMD.80050	106231
5.DMD.80080	106232
5.DMD.80100	106233
5.DMD.80125	106234
5.DMD.80160	106235
5.DMD.80200	106236
5.DMD.80250	106237
5.DMD.80320	106238
5.DMD.80400	106239
5.DMD.80500	106240
5.DMD.80600	106241
5.DMD.80800	106242
5.DMD.100025	106243
5.DMD.100050	106244
5.DMD.100080	106245
5.DMD.100100	106246
5.DMD.100125	106247
5.DMD.100160	106248
5.DMD.100200	106249
5.DMD.100250	106250
5.DMD.100320	106251
5.DMD.100400	106252
5.DMD.100500	106253
5.DMD.100600	106254
5.DMD.100800	106255
5.DMD.125025	106256
5.DMD.125050	106257
5.DMD.125080	106258
5.DMD.125100	106259
5.DMD.125125	106260
5.DMD.125160	106261
5.DMD.125200	106262
5.DMD.125250	106263
5.DMD.125320	106264
5.DMD.125400	106265
5.DMD.125500	106266
5.DMD.125600	106267
5.DMD.125800	106268