

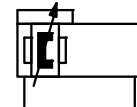


Rodless cylinder

Double-acting

Magnetic piston

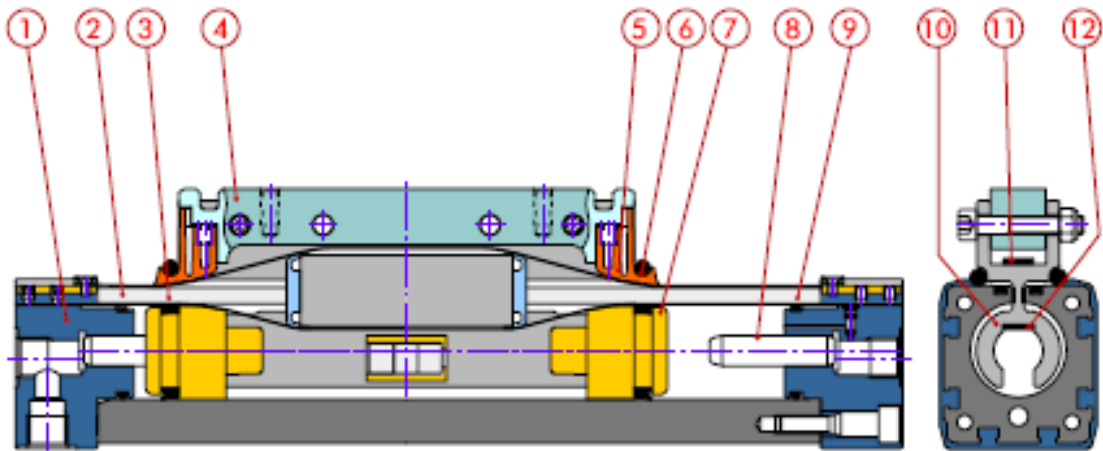
Ø 16 to 63 mm

Series 6.DD.


Technical data

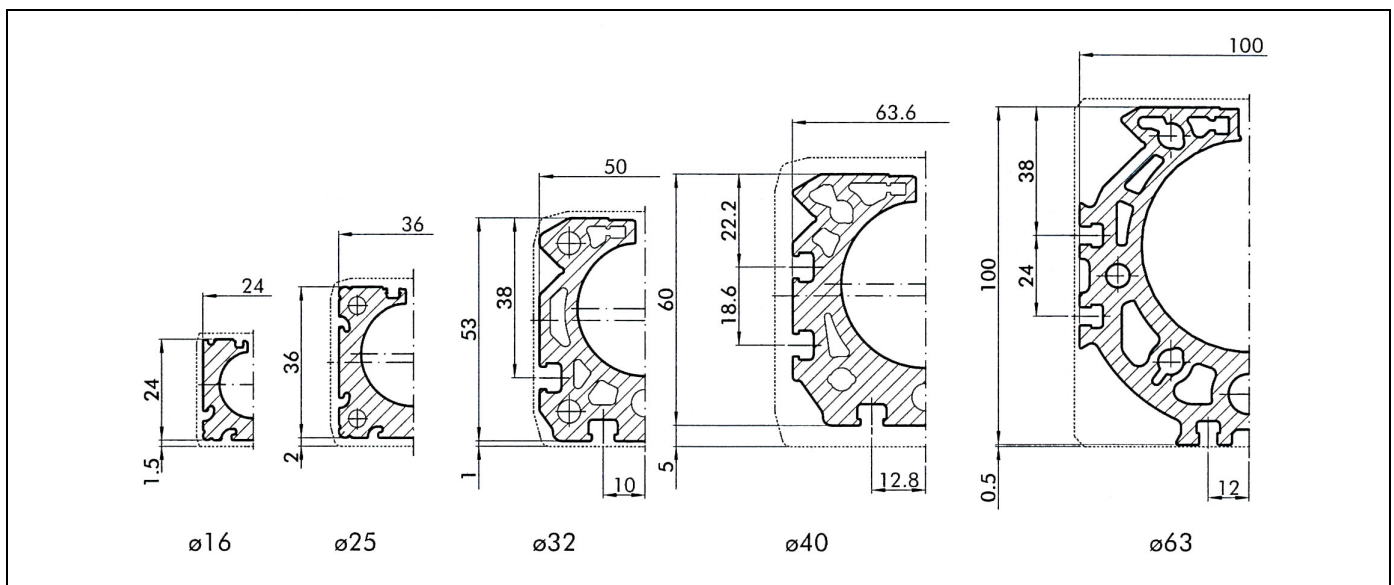
Max. working pressure	1 to 8 bar	0.1 MPa to 0.8 MPa	14.5 to 116 psi
Temperature range	NBR / FPM		
	-10 °C to +80 °C		
Medium	Air (unlubricated)	Important: If lubrication is used, the cylinder must be continuously operated with lubricated air	
Piston Ø	16	25	32 40 63
Design features	Double-acting, rodless cylinder with direct transmission system		
Strokes	100 to 5700 mm, stroke increments: 1 mm		
Cushioning	Pneumatic cushioning at both ends		
Position sensing	Magnet (proximity switch)		
Options (on request)	Piston gaskets made from FPM		
Mounting position	Any		
Recommended speed	Piston with NBR	V < 1 m/s	
	Piston with FPM	V > 1 m/s	
Max. speed	Piston with NBR	< 1 m/s	
	Piston with FPM	2 m/s	
Max. permissible load as a function of speed and cushioning	See cushioning diagram		
Dimensions	See force-moment diagram		
Lubrication	Supplied with continuous lubrication , no external lubrication		
Air quality	Filtered, at least 50 µm		

Materials



	Part	Standard	Optional
1	End cap	Anodised aluminium alloy	
2	Barrel	Profiled, anodised aluminium alloy	
3	Piston gasket	NBR	FPM
4	Slide	Anodised aluminium alloy	
5	Scraper	POM (Hostaform)	
6	O-rings	FPM	
7	Piston	POM (Hostaform)	
8	Cushioning cone	Aluminium alloy	
9	Static O-rings	NBR	FPM
10	Central element	Aluminium alloy	
11	Outer strip	Stainless steel	
12	Inner strip	Stainless steel	

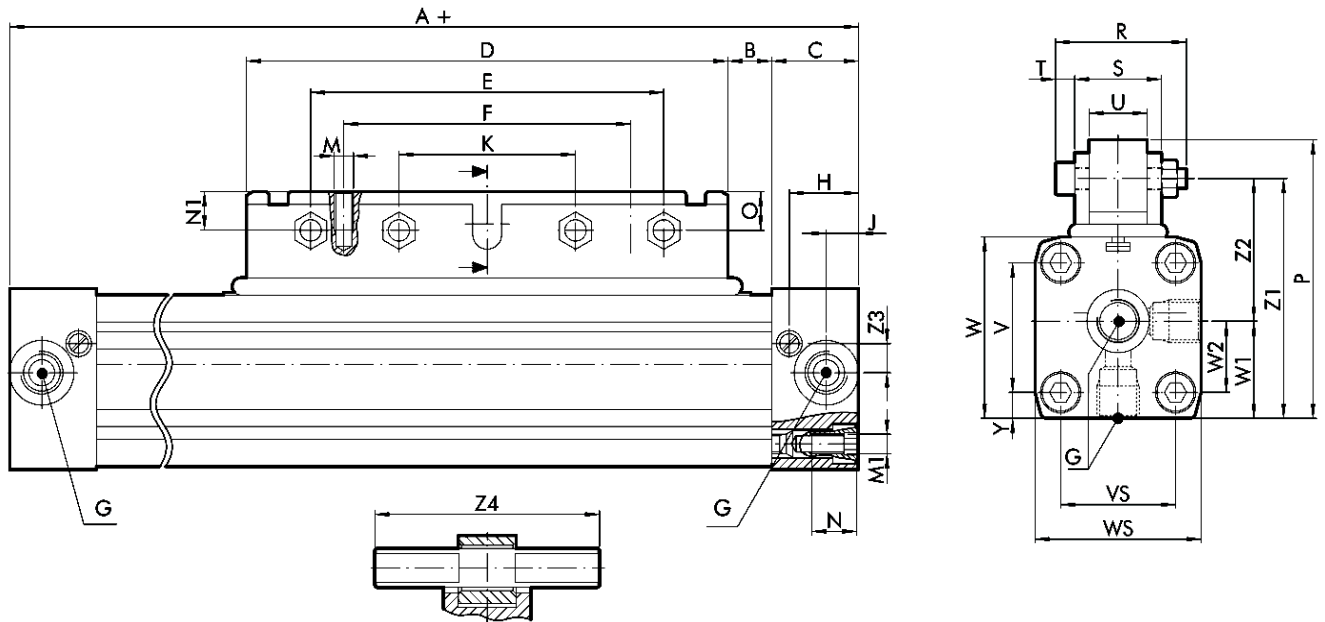
Barrel with profile



Dimensions

Ø 16 to 40

+ = Add the stroke



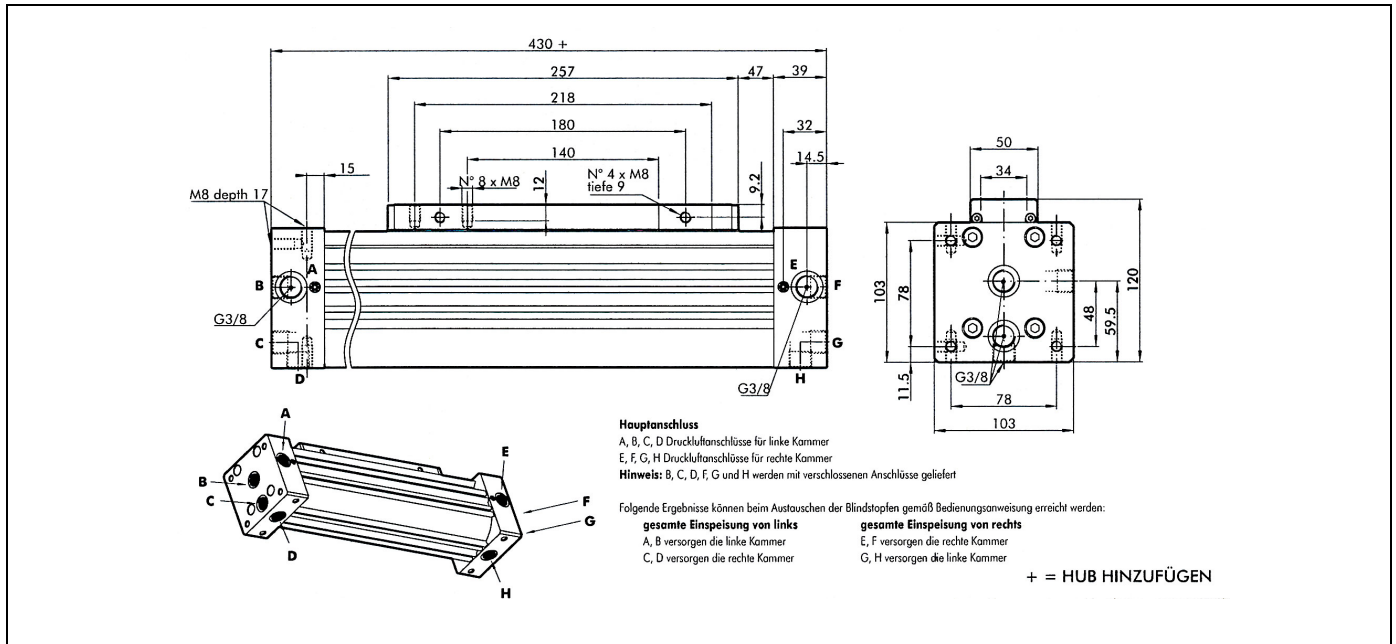
[mm]

Ø	A	B	C	D	E	F	G	H	J	K	M	M1	N	N1	O	P
16	130	12	15	76	64	48	M5	12	6.4	32	M4	M3	7	8	6	43.5
25	200	17	23	120	100	80	1/8	18.5	8.5	50	M5	M5	12	11	13	66
32	250	23	27	150	110	90	1/4	22	10.5	55	M6	M6	14	12	12	86
40	300	45	30	150	110	90	1/4	24	15	55	M6	M6	17.5	12	12	97

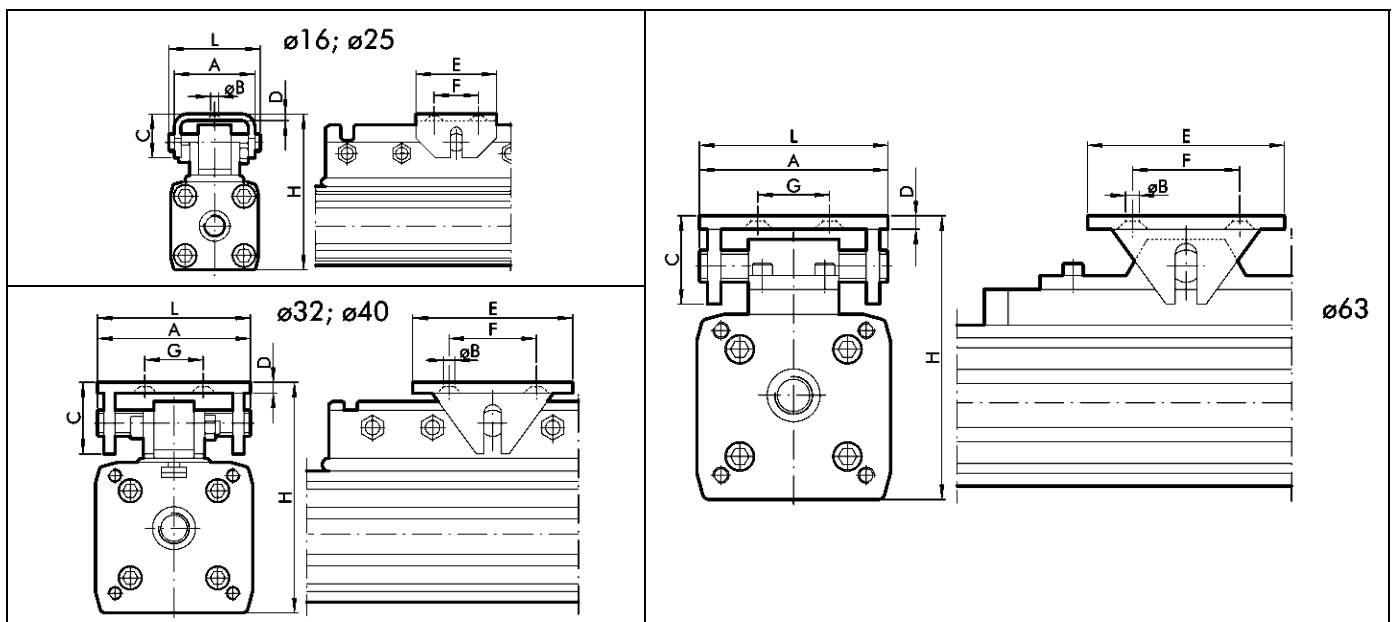
Ø	R	S	T	U	V	VS	W	WS	W1	W2	Y	Z1	Z2	Z3	Z4
16	23.5	18	2.75	10	18	18	27	27	13.5	9	4.5	37.5	24	4.5	28
25	29.6	23	3.3	15	27	27	40	40	20	13.5	6.5	53	33	6.5	42
32	36	27	4.4	18	40	36	56	52	30	22	8	74	44	8	70
40	36.8	28	4.4	18	54	54	69	72	36	27	9	85	49	11.8	70

Dimensions

Ø 63



With swing support

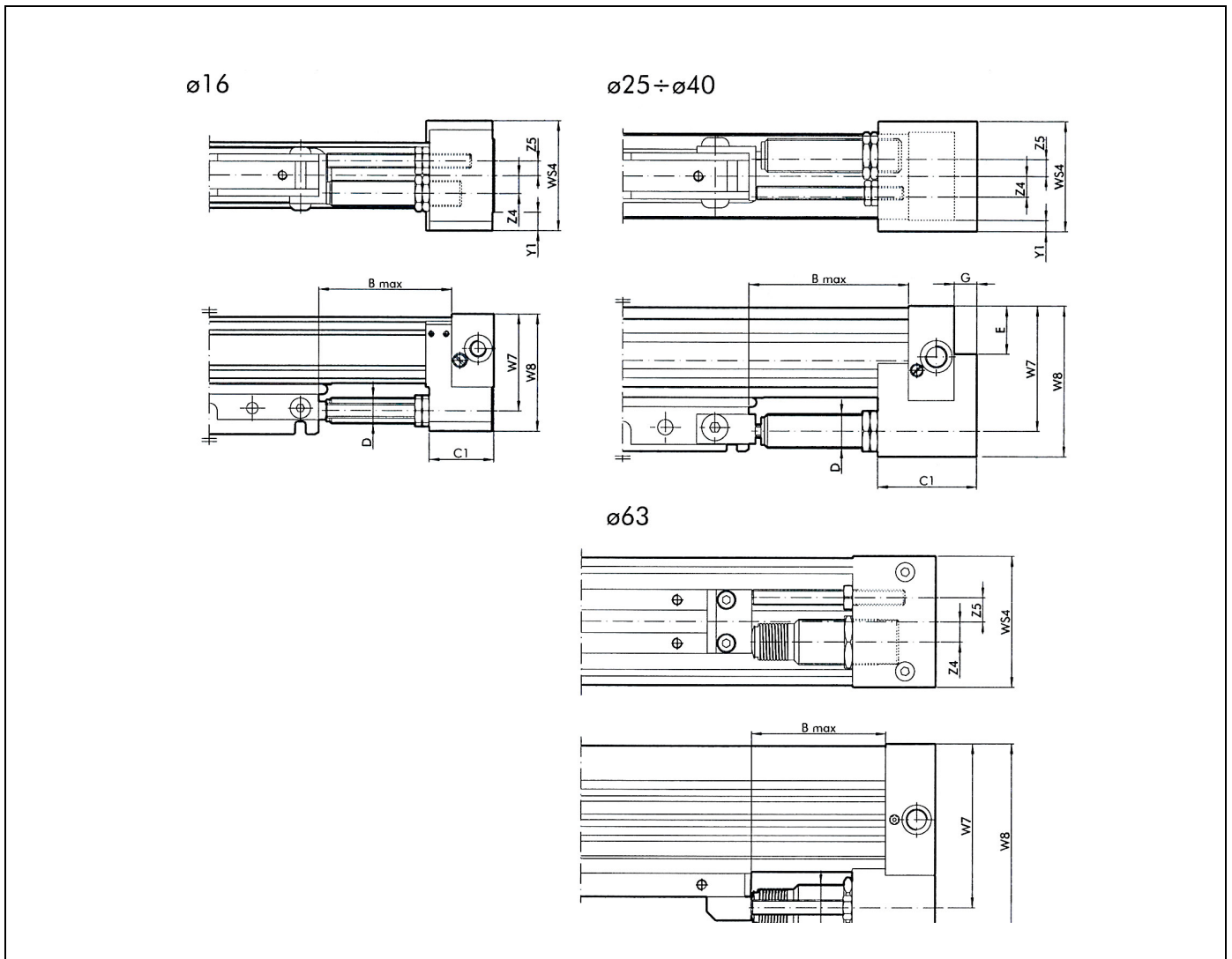


[mm]

Ø	A	ØB	C	D	E	F	G	H	L
16	25	4.5	13	2	20	10	-	47-50	28
25	37	5.5	20	3	30	16	-	72-75	42
32	70	6.5	38	5	90	75	55	91-100	70
40	70	6.5	38	5	90	75	55	111-120	70
63	80	M8	32	8	80	65	37	155-162	82

Dimensions

Adjustable limit switches and shock



[mm]

Ø	B max.	C1	D	W7	W8	WS4	Y1	Z4	Z5	Stroke
16	42	22	M 12x1	38	46	42	7.5	7	7.5	10
25	72	44	M 14x1.5	53	67	50	5	8	9.8	16
32	90	56	M 20x1.5	74	89	60	4	10	12.2	22
40	105	74	M 25x1.5	89	108	75	1.5	12.5	12.7	25
63	105	65	M 36x1.5	128.5	153	103	-	16	19	25

Ø	Max. cushioned force		Max. impact	Max. thrust
	per stroke [J]	per hour [J]	[N]	[N]
16	4.5	14125	1000	220
25	18	34000	2800	530
32	40	53700	3750	890
40	65	70000	5500	1550
63	125	91000	11120	2220

Ordering information

Art. No.	Ident No.
6.DD.160100	106299
6.DD.160200	106300
6.DD.160300	106301
6.DD.160400	106302
6.DD.160500	106303
6.DD.160600	106304
6.DD.160700	106305
6.DD.160800	106306
6.DD.160900	106307
6.DD.161000	106308
6.DD.161200	106309
6.DD.161400	106310
6.DD.162000	106311
6.DD.250100	106312
6.DD.250200	106313
6.DD.250300	106314
6.DD.250400	106315
6.DD.250500	106316
6.DD.250600	106317
6.DD.250700	106318
6.DD.250800	106319
6.DD.250900	106320
6.DD.251000	106321
6.DD.251200	106322
6.DD.251400	106323
6.DD.252000	106324
6.DD.320100	106325
6.DD.320200	106326
6.DD.320300	106327
6.DD.320400	106328
6.DD.320500	106329
6.DD.320600	106330
6.DD.320700	106331
6.DD.320800	106332
6.DD.320900	106333
6.DD.321000	106334
6.DD.321200	106335
6.DD.321400	106336
6.DD.322000	106337

Ordering information

Art. No.	Ident No.
6.DD.400100	106338
6.DD.400200	106339
6.DD.400300	106340
6.DD.400400	106341
6.DD.400500	106342
6.DD.400600	106343
6.DD.400700	106344
6.DD.400800	106345
6.DD.400900	106346
6.DD.401000	106347
6.DD.401200	106348
6.DD.401400	106349
6.DD.402000	106350
6.DD.630100	106351
6.DD.630200	106352
6.DD.630300	106353
6.DD.630400	106354
6.DD.630500	106355
6.DD.630600	106356
6.DD.630700	106357
6.DD.630800	106358
6.DD.630900	106359
6.DD.631000	106360
6.DD.631200	106361
6.DD.631400	106362
6.DD.632000	106363