



**Constant-pressure regulator**

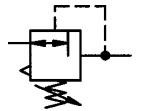
Size 4

**737.801 to 737.905**

G 1 1/4 (red.)

G 1 1/2

- 0.5 to 3 bar
- 0.5 to 6 bar
- 0.5 to 10 bar
- 0.5 to 16 bar
- 0.5 to 25 bar



**Characteristics**

<b>Order No.</b>	737.901	737.902	737.903	737.904	737.905
<b>Port</b>	<b>G 1 1/2</b>				
<b>Order No.</b>	737.801	737.802	737.803	737.804	737.805
<b>Port</b>	<b>G 1 1/4 (reduced)</b>				
Pressure gauge port	G 1/4				
Type of construction	Diaphragm pressure regulator with self-relieving design				
	<b>Special versions on request</b> e.g. - Reverse flow port closed				
Max. input pressure p <sub>1</sub>	<b>40 bar</b>				
Control range p <sub>2</sub>	0.5 to 3 bar / 0.5 to 6 bar / 0.5 to 10 bar / 0.5 to 16 bar / 0.5 to 25 bar				
Mounting position	Any / <b>note direction of arrow</b>				
Mounting type	Bracket				
Medium temperature	-10 °C to 60 °C				
Ambient temperature	-10 °C to 90 °C				
Weight [g]	5050 / 5200 with pressure gauge				

**Description**

- Standard design
- Conical double nipples (G 1 1/2) required for block mounting with other devices
- Pressure setting until 10 bar by adjusting screw with T-handle, 16 + 25 bar by hexagon screw a/f 19; setting can be locked with lock nut
- Flow direction indicated by arrows
- **Entry in direction of arrow**
- Working pressure remains virtually **onstant, regardless** of system pressure fluctuations and air consumption
- Pressure gauge Ø63 included, can be mounted at both ends
- Wall mounting with mounting bracket on cover
- Max. output pressure **25 bar**

**Materials**

Part	Material
Head piece (body)	Brass
Spring bonnet/adjusting screw	Brass
Diaphragm →	NBR-brass
Pressure spring	Galvanised steel
Valve cone →	NBR-brass
Counter-pressure spring	Stainless steel
O-ring 52 x 3 →	NBR

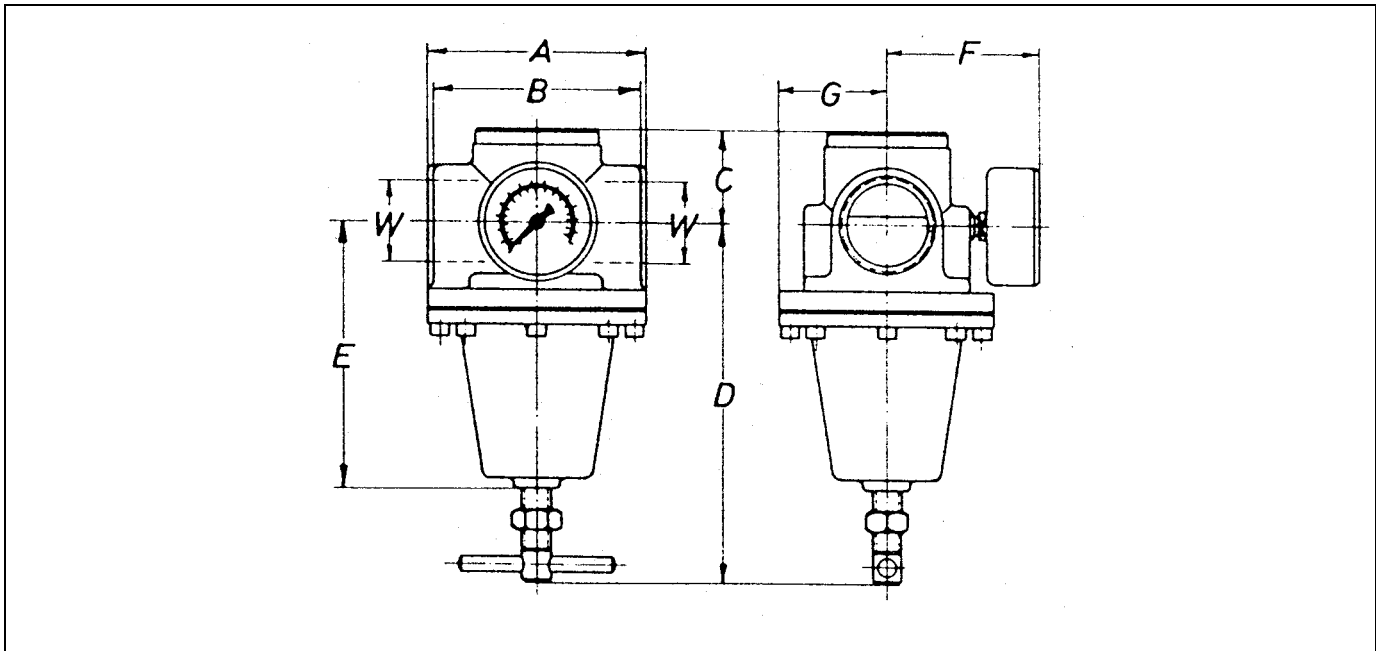
**Accessories**

Designation	Order No.
Mounting bracket with 2 screws	H 88
Double nipple G 1½	252.07/4
Reducing nipple G 1½ male to G 1¼ female	251.12

**Main spare parts**

Part	Part No.
→ <b>Set of wearing parts</b> - Diaphragm, compl. - Valve cone, compl. - O-ring 52 x 3	<b>22.793.4</b>
Pr. gauge Ø 63, G 1/4	
0 to 4 bar	215-KD
0 to 6 bar	216-KD
0 to 10 bar	217-KD
0 to 16 bar	218-KD
0 to 25 bar	219

## Dimensions



## Dimensions [mm]

Art. No.	Dimensions								Rotary switch $\varnothing$	hexagon a/f	Pr. gauge $\varnothing$	
	A	B	C	D	E	F	G	G 1/4			63	
737.801 to 737.803	114.0	126.0	48.0	189.0	138.0	80.0	58.0	80	-	G 1/4	63	
737.901 to 737.903	114.0	114.0	48.0	189.0	138.0	80.0	58.0	80	-	G 1/4	63	
737.804 and 737.805	114.0	126.0	48.0	184.0	138.0	80.0	58.0	-	19	G 1/4	63	
737.904 and 737.905	114.0	114.0	48.0	184.0	138.6	80.0	58.0	-	19	G 1/4	63	

## Flow rates

Flow rates at  $p_1 > p_2 + 2$  bar / G 1 1/2 port

Art. No.		737.801	737.802	737.803	737.804	737.805
		737.901	737.902	737.903	737.904	737.905
Output pressure $p_2 = 6$ [bar]	QN m <sup>3</sup> /h	960	840	730	660	510
Nominal flow ( $\Delta p < 1$ bar)	QN l/min	16000	14000	12160	11000	8500