



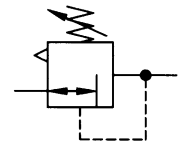
Pressure regulating valve

Size 1

RP 11

G 1/4

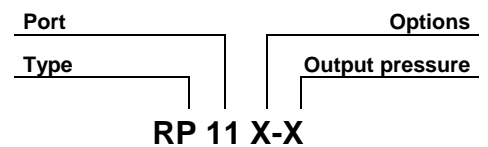
0.1 to 3 bar
0.2 to 6 bar
0.5 to 10 bar



Characteristics

Type	RP 11
Port	G 1/4
Pressure gauge port	G 1/4
Type of construction	Diaphragm pressure regulator with self-relieving design Lockable adjusting knob on request
Max. input pressure p ₁	16 bar
Own air consumption	2.6 l/min, depending on secondary pressure
Control range p ₂	0.1 to 3 bar / 0.2 to 6 bar 0.5 to 10 bar / 0.5 to 16 bar on request
Mounting position	Any
Mounting type	Panel mounting, hole Ø30.5 Mounting bracket
Medium temperature	Max. 60°C
Ambient temperature	Max. 60°C
Weight [g]	330 / 430 with pressure gauge

Ordering information



Port	
11	G 1/4
Options	
K	Lockable adjusting knob

Order example: RP 11 K-10

Materials

Part	Material
Head piece (body)	Z 410
Spring bonnet	POM-brass
Diaphragm	→ NBR-brass
Pressure spring	Galvanised steel
Valve cone with plastic pressure pin	→ NBR-brass
Counter-pressure spring	Stainless steel
O-ring 30 x 2	→ NBR
Bottom screw	POM
Spring bonnet, lockable	POM-AI
Lock cylinder	Brass

Accessories

Designation	Order No.
Nut M 30 x 1.5	R 11-55
Mounting bracket with nut R 11-55	MV 30
Joiner set(s) for block mounting with other devices	KP 11
Joiner set for narrow diverter block	KP 11 Z
Mounting bracket with nut	MV 30

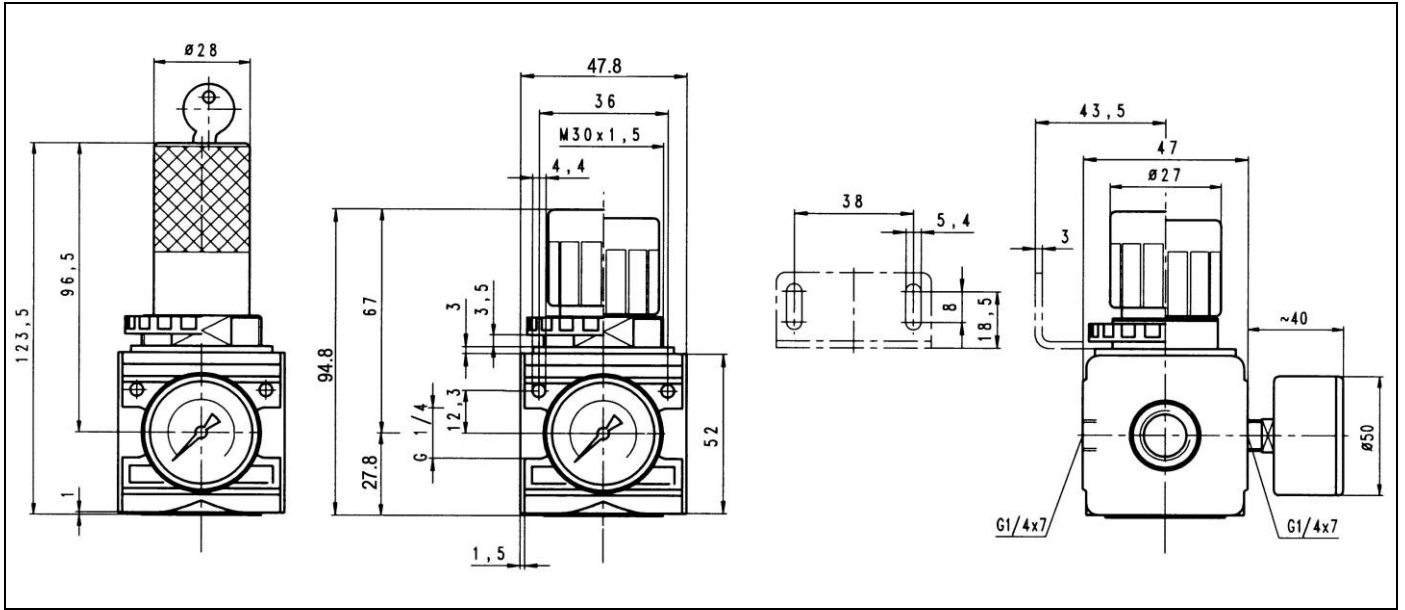
Description

- Simple block mounting without tools using conical clamps
- Joiner sets (**KP 11**) required for block mounting
- Pressure setting can be locked by pushing the knob down
- Flow direction indicated by arrows
- **Entry in direction of arrow**
- **Independent of inlet pressure**
- Pressure gauge Ø40 included
- Lockable adjusting knob (**on request**)

Main spare parts

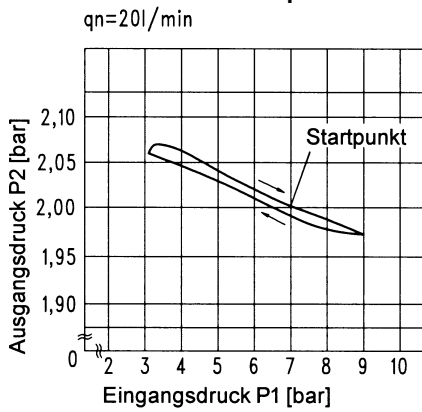
Part	Part No.
→ Set of wearing parts - Diaphragm, cmpl. - Valve cone, cmpl. - O-ring 30 x 2	22.1611.4
Pr. gauge Ø40, G1/4	
0 to 4 bar	110.01-KD
0 to 10 bar	110.03-KD
0 to 16 bar	110.04-KD

Dimensions [mm]



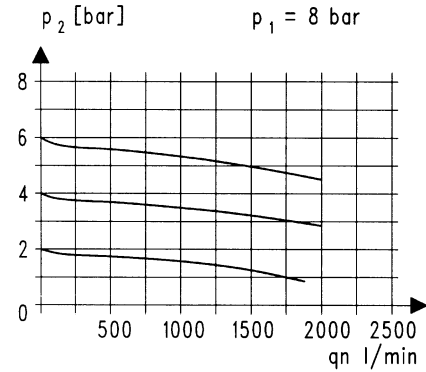
Hysteresis

Hysteresis of p_2 as a function of rising (falling) p_1 at a constant draw-off rate QN 20 l/min
 Basic setting (starting point): p_1 : 7.0 bar
 p_2 : 2.0 bar



Flow characteristic

Control range 0.5 to 10 bar



Flow rates

Flow rates at $p_1 = 10$ bar

Art. No.		RP 11-3	RP 11-6	RP 11-10
Output pressure $p_2 = 6.3$ [bar]	QN m ³ /h	90	90	90
Nominal flow ($\Delta p = 1$ bar)	l/min	2500	2500	2500