



Pressure regulator

Size 2

VR 42 to VR 44

G 1/2

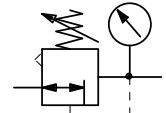
VR 52 to VR 54

G 3/4

VR 62 to VR 64

G 1 (with connection plates)

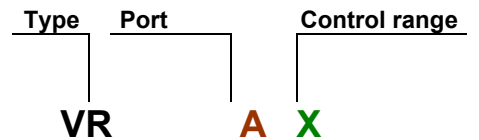
0.5 to 6 bar
0.5 to 10 bar
0.5 to 16 bar



Characteristics

Type	VR 42 to VR 44
Port	G 1/2
Type	VR 52 to VR 54
Port	G 3/4
Type	VR 62 to VR 64
Port	G 1
Type of construction	Diaphragm pressure regulator - Independent of inlet pressure - Reversible
Input pressure p_1	Max. 25 bar
Control range	0.5 to 6.0 bar 0.5 to 10.0 bar 0.5 to 16.0 bar
Mounting position	Any / note the flow direction
Mounting type	Bracket Panel mounting, hole \varnothing 42.5
Medium temperature Ambient temperature	Max. 80 °C
Weight [g]	950 (without pressure gauge)

Ordering information



Port	
A = 4	G 1/2
A = 5	G 3/4
A = 6	G 1
Control range	
X = 2	0.5 to 6.0 bar
X = 3	0.5 to 10.0 bar
X = 4	0.5 to 16.0 bar
Order example: VR 43	
Pressure gauge included	

Description

- Block design
- **Flow direction** indicated by **arrow** on front plate
- **Port size G 1** with connection plates

On request

- Front plates with private label

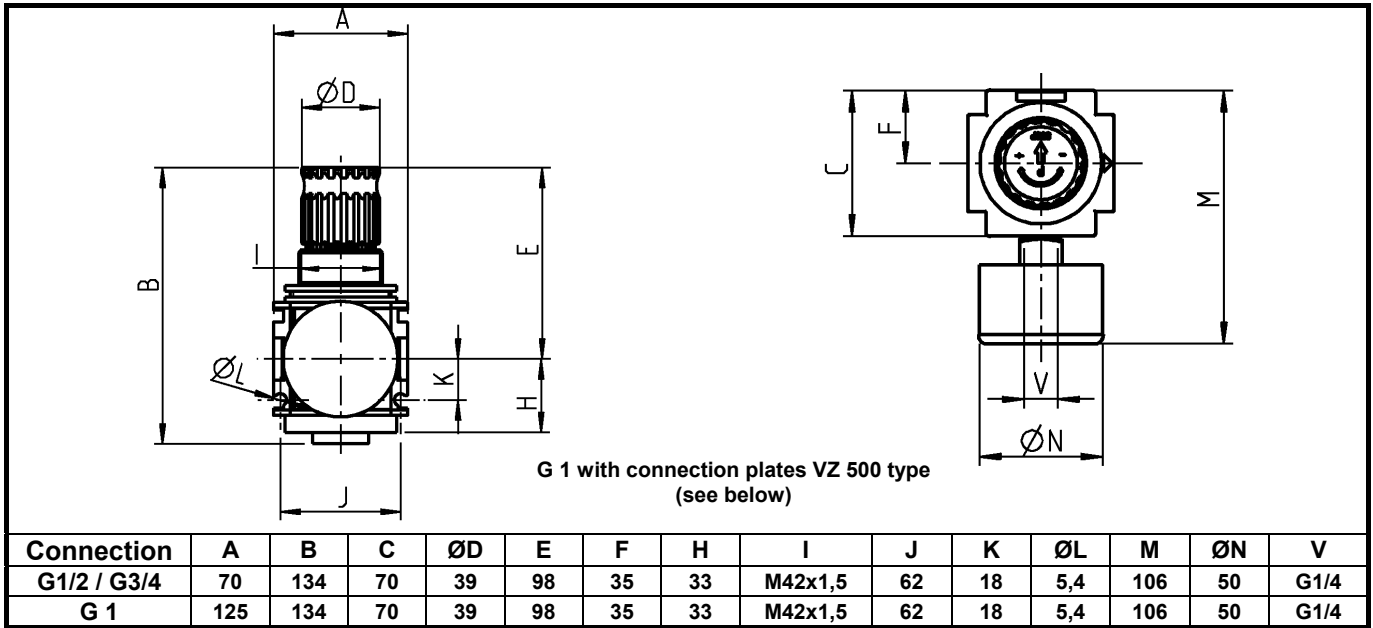
Accessories

Mounting bracket	630/2-
Block mounting with other "Variobloc" devices	
- Compact joiner set G 1/2	VZ 103
- Compact joiner set G 3/4 / 1	VZ 104
Pressure gauge (replacement)	
- 6 bar	205-KD
- 10 bar	206-KD
- 16 bar	207-KD

Materials

Part	Material
Head piece (body)	Z 410
Spring bonnet / adjusting knob	PA 6 / POM
O-rings	NBR
Diaphragm	NBR / brass
Pressure pin	NBR / brass
Front plates	ABS

Dimensions [mm]



VR 4X

VR 5X

VR 6X

Main spare parts

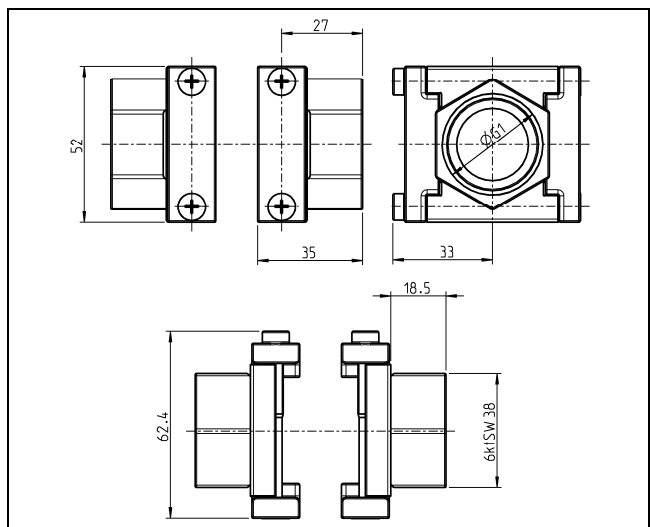
Part	Art. No.
Set of wearing parts (valve cone / diaphragm)	VZ 781

Flow rates

Art. No.	Nominal flow p ₂ 6 bar / Δ 1 bar QN [l/min]
VR 42	7000
VR 43	7000
VR 44	7000
VR 52	8000
VR 53	8000
VR 54	8000
VR 62	8000
VR 63	8000
VR 64	8000

VR 6X

Connection plates G 1 »VZ 500«



(Block) mounting

Variobloc

Size 1 G 1/4

Mounting bracket and fixing nut
Mounting bracket and two screws
Compact joiner set
Compact joiner set, incl. tee holder
Comfort joiner set

Size 1 G 3/8

Mounting bracket and fixing nut
Mounting bracket and two screws
Compact joiner set
Compact joiner set, incl. tee holder
Comfort joiner set

Size 2 G 1/2

Mounting bracket and fixing nut	630/2-B
Mounting bracket and two screws	VZ 719
Compact joiner set	VZ 103
Compact joiner set, incl. tee holder	VZ 203
Comfort joiner set	--

Size 2 G 3/4

Mounting bracket and fixing nut	630/2-B
Mounting bracket and two screws	VZ 719
Compact joiner set	VZ 104
Compact joiner set, incl. tee holder	VZ 204
Comfort joiner set	--

