



Precision pressure regulator
Size 2

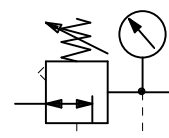
FU 7521 to FU 7536

G 3/8

FU 7541 to FU 7556

G 1/2

0.1 to 1.0 bar
0.1 to 2.0 bar
0.2 to 4.0 bar
0.5 to 8.0 bar
0.5 to 10.0 bar
0.5 to 16.0 bar



Description

- Precision pressure regulator in the »FUTURA« series.
- Precision pressure regulators facilitate a very fine pressure setting in applications requiring an accurate working pressure.
- "KP200" or "WK 102" joiner set for seamless integration with other devices.

The regulators should only be used with micro-filtered media (filter rating 0.01 µm).

Characteristics

Type	FU 7521 to FU 7536	FU 7541 to FU 7556
Port (thread)	G 3/8	G 1/2
Type of construction	Diaphragm pressure regulator with self-relieving design	
Medium	Compressed air, neutral gases	
Mounting position	Any	
Medium and ambient temperature	Max. 50 °C	
Input pressure Pin	Max. 16 bar	
Internal air consumption	2.6 l/min	
Control range (output pressure)	0.1 to 1.0 bar / 0.1 to 2.0 bar / 0.2 to 4.0 bar / 0.5 to 8.0 bar / 0.5 to 10.0 bar / 0.5 to 16.0 bar	
Mounting type	Bracket, wall mounting, panel mounting	
Weight [kg]	0.540 without gauge / 0.610 with gauge	

Materials

Part	Material
Spring bonnet / adjusting knob / cover (bottom screw)	POM
Head piece	IXEF1022®
Diaphragm	Brass-NBR-PA6
Valve cone	Brass-NBR
O-ring 37.5 x 2.5	NBR
Threaded plate	Die-cast zinc

Ordering information

- The pressure regulators are delivered in single packs.
- Pressure gauge included.

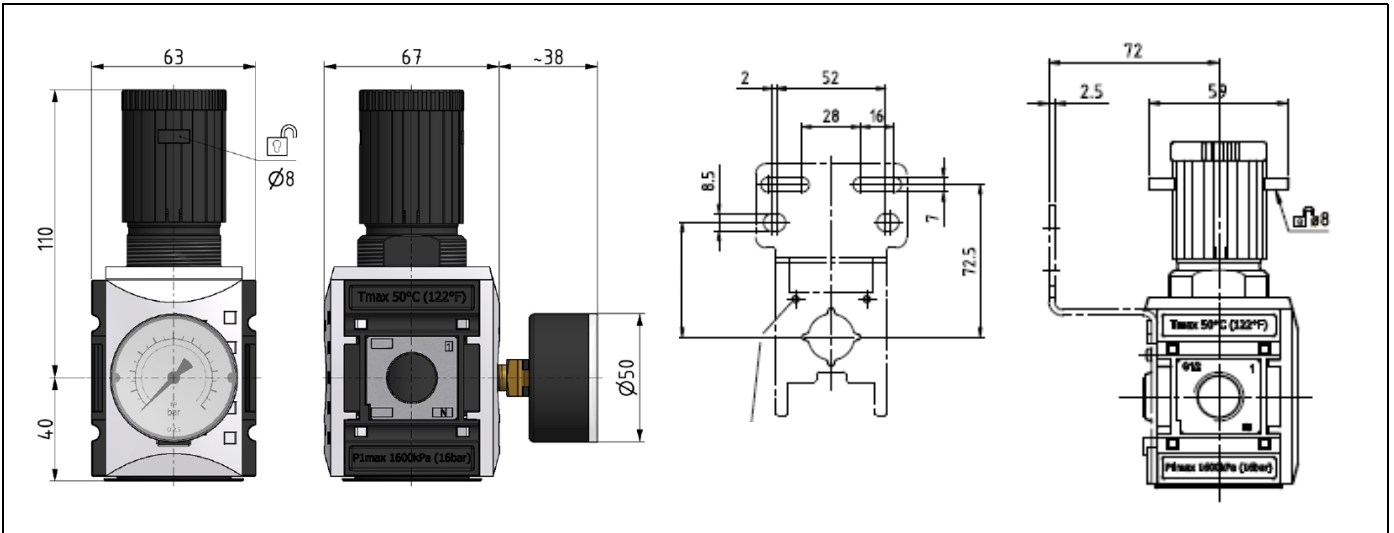
Accessories

Designation	Art. No.
Mounting bracket, incl. screws	H 852
Joiner set with wall bracket	WK 102
Joiner set	KP 200
Panel nut	FU 33-55
Key lock	SS 32

Spare parts

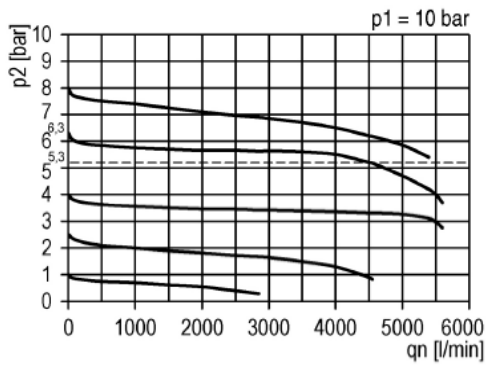
Designation	Art. No.
Seal kit	22.7548.4

Dimensions

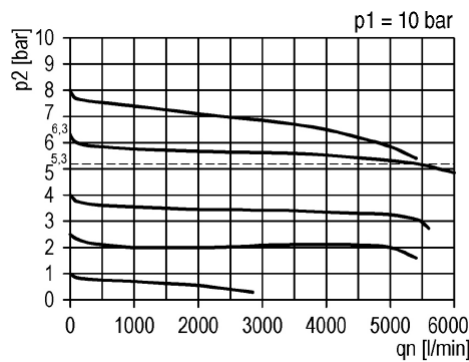


Flow rates

Flow characteristic – G 3/8



Flow characteristic – G 1/2



Hysteresis

