

FU 7604

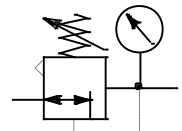
Precision pressure regulating valve
 For mounting side by side
 Continuous pressure supply
 Size 2

FU 7711 to FU 7746

G 3/8

G 1/2

0.1 to 1.0 bar
 0.1 to 2.0 bar
 0.2 to 4.0 bar
 0.5 to 8.0 bar
 0.5 to 10.0 bar
 0.5 to 16.0 bar



Description

Precision pressure regulating valve in the "Futura" series.

Precision pressure regulating valves facilitate a very fine pressure setting and guarantee a precise supply with the required working pressure.

In combination with two or more controllers with a **common** compressed air supply, they permit **individual control** of several separate working circuits.

The valve can be supplied at both ends (left and right-hand entry).

The controllers are only allowed to be used with micro-filtered media (filter rating 0.01 µm).

Characteristics

Type	FU 7711 to FU 7726	FU 7731 to FU 7746
Port (thread)	G 3/8	G 1/2
Type of construction	Diaphragm pressure regulator with self-relieving design	
Medium	Compressed air, neutral gases	
Mounting position	Any	
Medium and ambient temperature	Max. 50°C	
Input pressure Pin	Max. 16 bar	
Own air consumption	2.6 l/min	
Control range (output pressure)	0.1 to 1.0 bar / 0.1 to 2.0 bar / 0.2 to 4.0 bar / 0.5 to 8.0 bar / 0.5 to 10.0 bar / 0.5 to 16.0 bar	
Mounting type	Bracket, wall mounting	
Weight [kg]	0.540 without pressure gauge / 0.610 with pressure gauge	

Materials

Part	Material
Spring bonnet / adjusting knob / cover (bottom screw)	POM
Head piece	PA66 GF60
Diaphragm	Brass-NBR-PA6
Valve cone	Brass-NBR
O-ring 32x2.5	NBR
Thread base plate	Die-cast zinc

Ordering information

- The pressure regulating valves are delivered in single packs
- Pressure gauge included

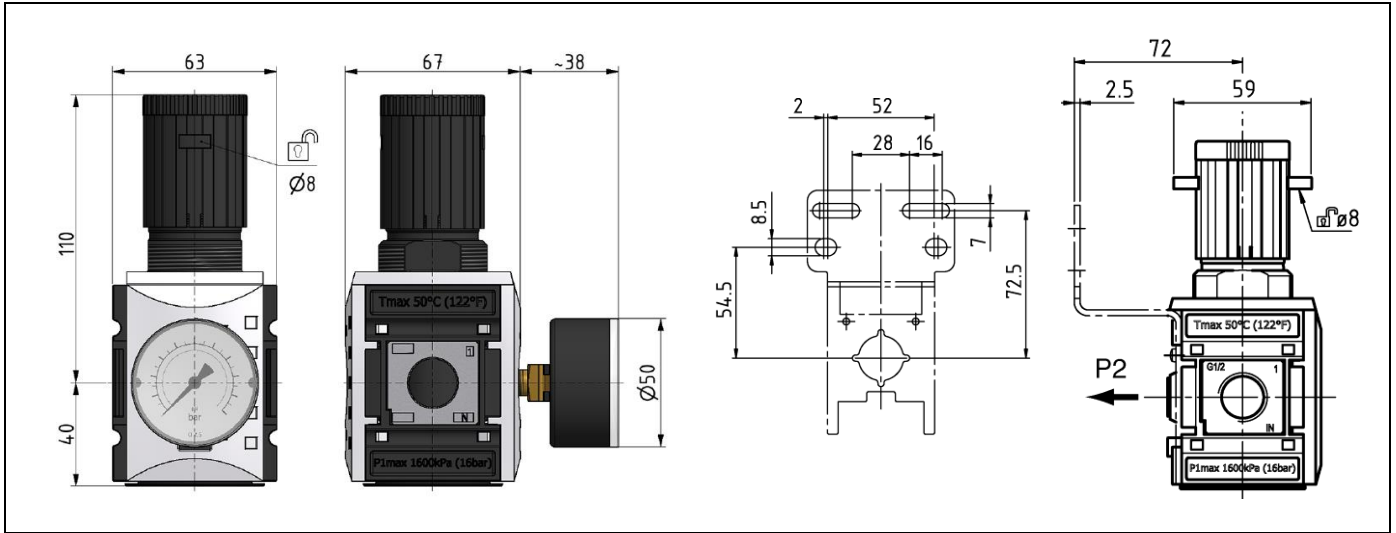
Accessories / Spare parts

Designation	Art. No.
Mounting bracket, incl. screws	H 852
Joiner set with wall bracket	WK 102
Joiner set	KP 200
Panel nut	FU 33-55
Key lock	SS 32

Accessories / Spare parts

Designation	Art. No.
Set of seals	22.7548.4
Mounting bracket with control panel nut	H 853
Wall bracket with connection thread G 3/8	WK 102-38
Wall bracket with connection thread G 1/2	WK 102-12
Wall bracket with connection thread G 3/4	WK 102-34

Dimensions

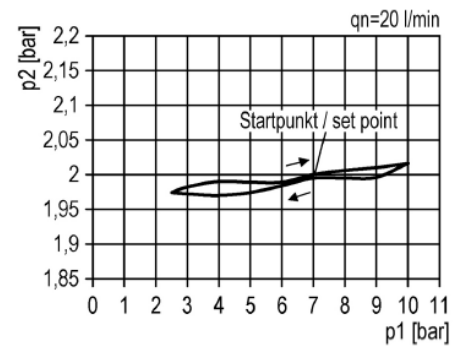
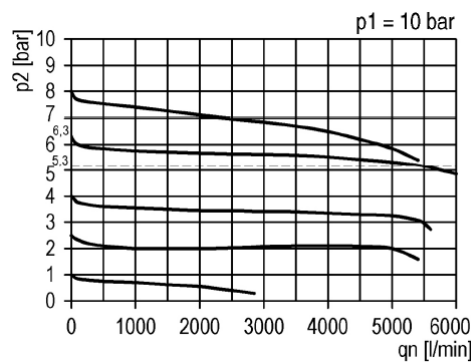
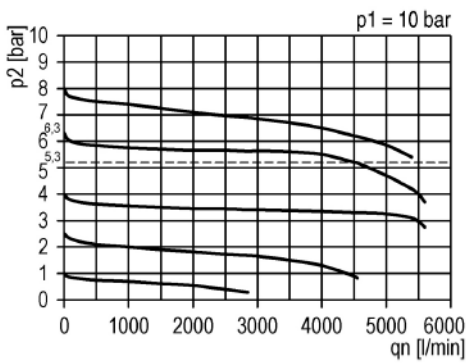


Flow rates

Flow characteristics G 3/8

Flow characteristics G 1/2

Hysteresis



Typical application

