



Filter regulator

Size 2

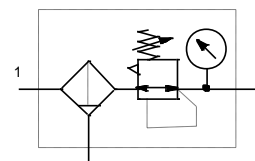
FU 813 **FU 823**

G 3/8

FU 814 **FU 824**

G 1/2

5 µm



Description

Filter regulator as a combination of a centrifugal filter and a pressure regulating valve in the "*Futura*" series. The filter and regulator unite compressed air conditioning (filtration) and preselection of a required working pressure (regulator) in a single device.

Characteristics

Type	FU 813	FU 823	FU 814	FU 824
Port (thread)	G 3/8		G 1/2	
Type of construction	- Centrifugal filter - Diaphragm pressure regulator with self-relieving design			
Medium	Compressed air, neutral gases			
Mounting position	Vertical			
Temperature Medium / ambient	Max. 50 °C			
Input pressure Pin	Max. 16 bar	Min. 1.5 bar with semi-automatic condensate drain Min. 1.5 bar with fully-automatic condensate drain		
Control range (output pressure)	0.1 to 1.0 bar / 0.1 to 2.0 bar / 0.2 to 4.0 bar / 0.5 to 8.0 bar / 0.5 to 10.0 bar / 0.5 to 16.0 bar			
Filter rating	Pore size 5 µm			
Bowl capacity	49 cm ³			
Condensate drain	Semi-automatic / fully automatic – pressureless exhaust			
Weight	0.680 kg			
Mounting type	Bracket, wall mounting			

Materials

Part	Material
Spring bonnet / adjusting knob	POM
Head piece	IXEF1022®
Diaphragm	Brass / NBR / PA 6
Bowl	Polycarbonate
Bowl guard	Polyamide
Metal bowl	Die-cast zinc
O-rings	NBR
Filter element	Cellpor
Threaded plate	Die-cast zinc

Ordering information

- The service units are delivered in single packs
- Pressure gauge included

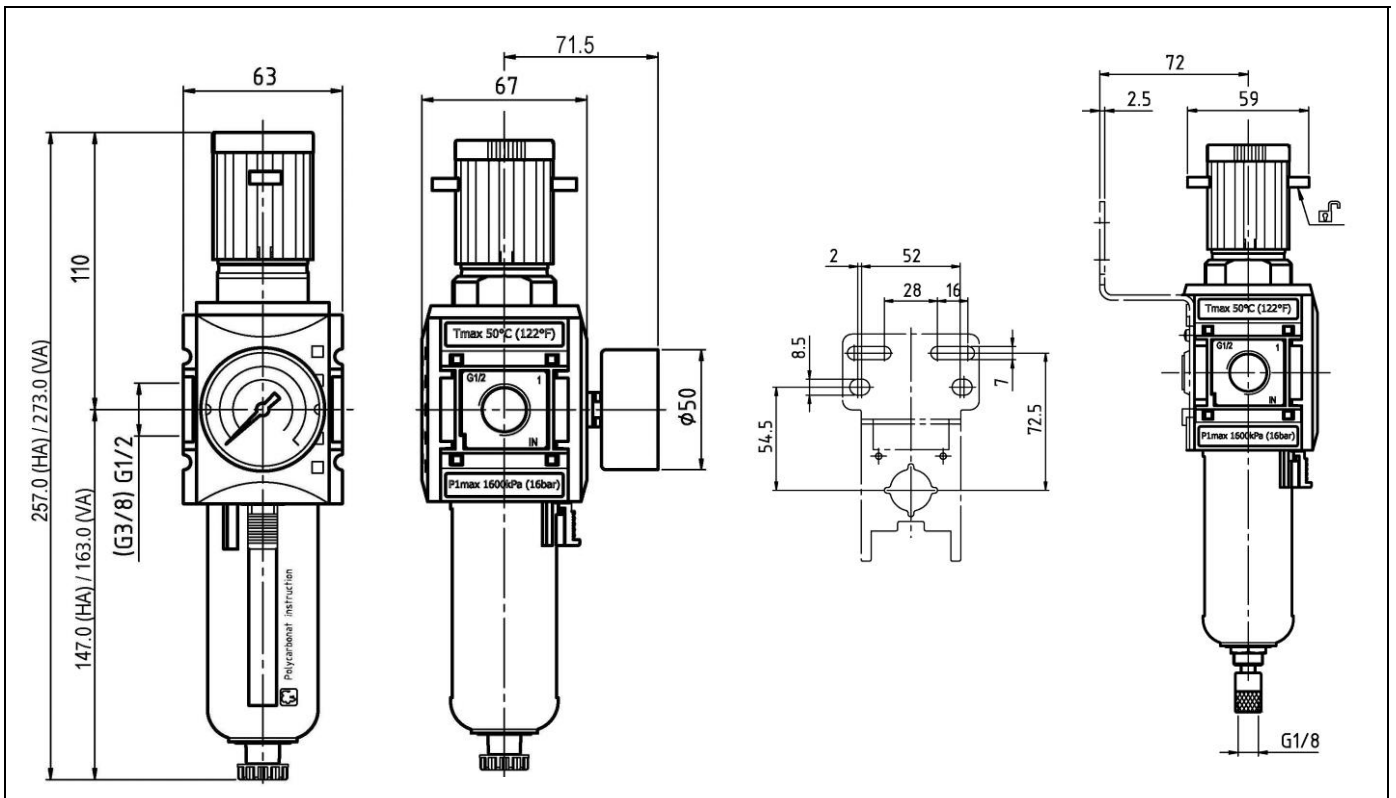
Accessories

Designation	Art. No.
Mounting bracket, incl. screws	H 852
Joiner set with wall bracket	WK 102
Joiner set	KP 200
Polycarbonate bowl with bowl guard / filter	BSF 12
Polycarb. bowl with fully autom. drain valve	BSF 12-A
Metal bowl / filter	MF 12
Metal bowl with fully automatic drain valve	MF 12-A
Panel nut	FU 33-55
Lock	SS 32

Spare parts

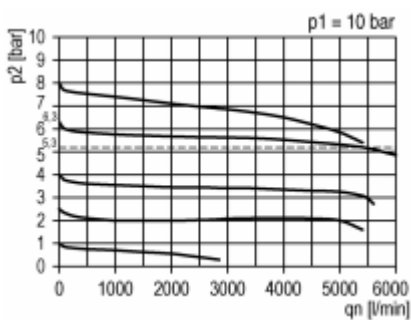
Designation	Art. No.
Set of seals for pressure regulator	844.6.905
Filter element 5 µm	611.6.905

Dimensions

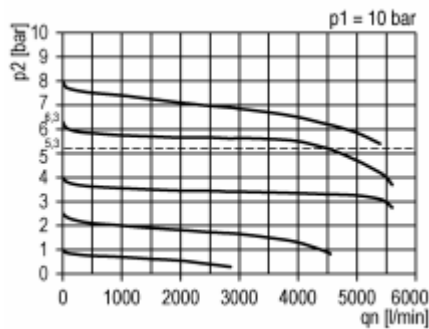


Flow rates

Flow characteristic



Port 1/2



Port 3/8

Hysteresis

