

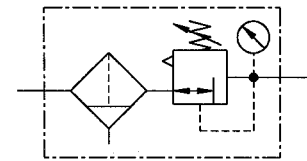


Filter regulator

Size 0

578.00 K-HA	578.01 K-HA
100781	100782
G 1/8	G 1/4
578.00 M	578.01 M
100783	100784
G 1/8	G 1/4

0.5 to 10 bar



Characteristics

Type	578.00	578.01
Port	G 1/8	G 1/4
Pressure gauge port	G 1/8	
Type of construction	Diaphragm pressure regulator with self-relieving design Centrifugal filter Sintered filter element	
	Special versions on request	
Input pressure p_1	Max. 16 bar with plastic bowl Max. 25 bar with metal bowl	
Input pressure p_1 with automatic drain	Max. 10 bar Min. 1.5 bar	
Control range p_2	0.5 to 10 bar (standard) 0.5 to 3 bar / 0.5 to 6 bar / 0.5 to 16 bar on request	
Mounting position	Vertical, drain plug at bottom	
Mounting type	Bracket	
Medium temperature	Max. 60 °C (other temperature	
Ambient temperature	Max. 60 °C ranges on request)	
Filter rating	5 µm / 40 µm, 8 µm on request	
Bowl capacity	Max. 16 cm ³ condensate	
Condensate drain	Semi-automatic (standard) Fully automatic (KS 11 F-A) Manual	
- Plastic bowl		
- Metal bowl		
Weight [g]	258 / 328 with pressure gauge	

Ordering information

Type Port Options

578.0X X

Order example: 578.01 K-HA

Port	
00	G 1/8
01	G 1/4
Options	
K-HA	Plastic bowl
M	Metal bowl

Description

- Standard design
- Pressure setting can be locked by pushing the knob down
- Flow direction indicated by arrows
- **Entry in direction of arrow**
- **Independent of inlet pressure**
- Pressure gauge Ø40 included
- Pressure gauge can be mounted at both ends
- Filter rating acc. to ISO 4003

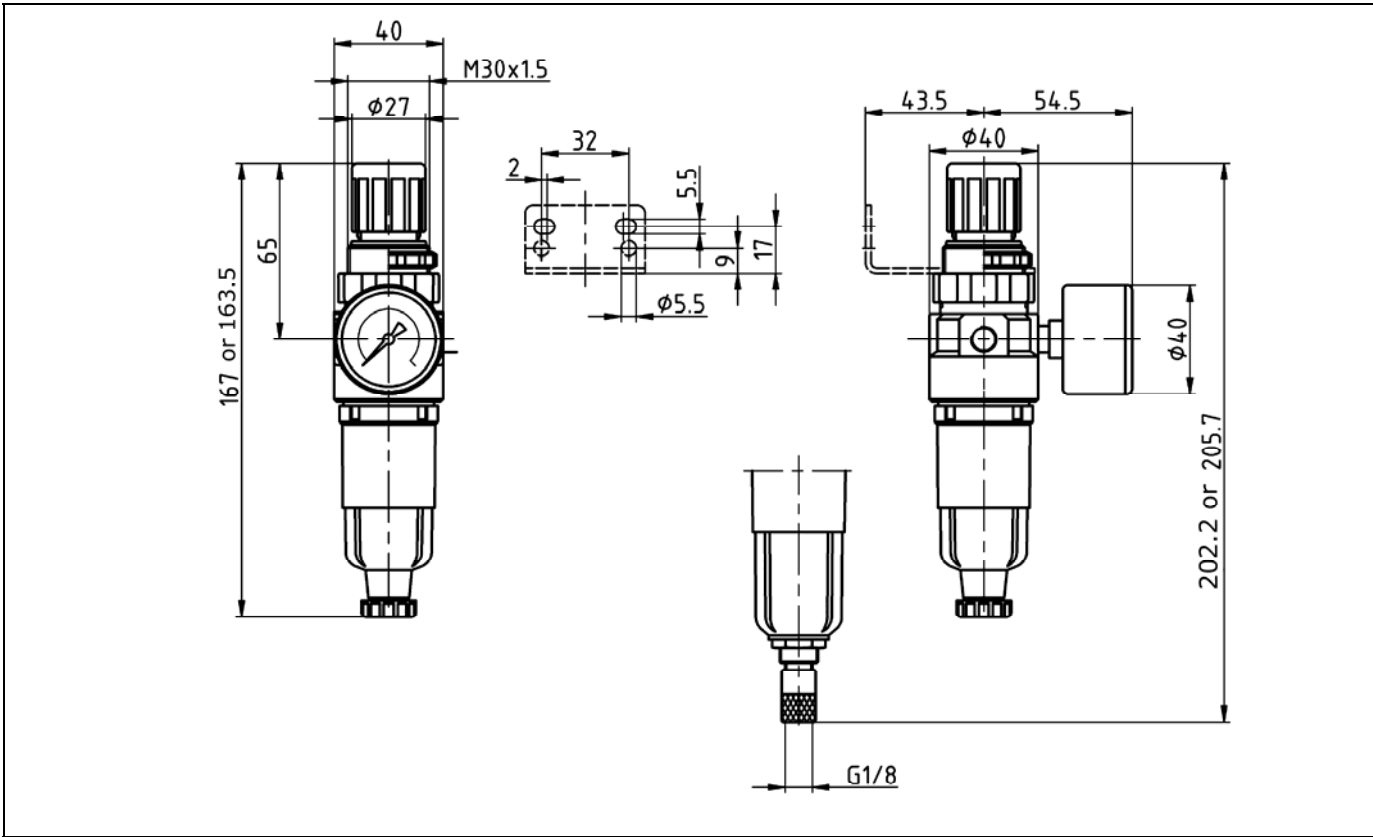
Materials

Part	Material
Head piece (body)	Z 410
Spring bonnet	POM-brass
Diaphragm	→ NBR-brass
Pressure spring	Galvanised steel
Valve cone	→ NBR-brass
Valve seat	PA-NBR
O-ring 9 x 1.5	→ NBR
Counter-pressure spring	Stainless steel
O-ring 30 x 2	→ NBR
Filter element 40 µm	Polyethylene (sintered)
Condensate bowl	Polycarbonate
Baffle	PA

Accessories

Designation	Art. No.	Ident No.
Nut M 30 x 1.5	R 11-55	100345
Mounting bracket with nut R 11-55	MV 30	100344
Filter element 40 µm	on request	-
5 µm	611.6.905	100134
Plastic bowl	640/1-HA	100357
Metal bowl	640/11	100358
Automatic drain (plastic bowl only)	KS 11 F-A	100361
Automatic drain valve (only for plastic bowl)	655.6.900	100362

Dimensions [mm]

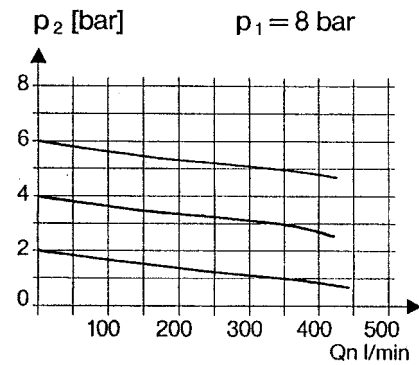


Flow rates

Flow rates at $p_1 = 8 \text{ bar}$

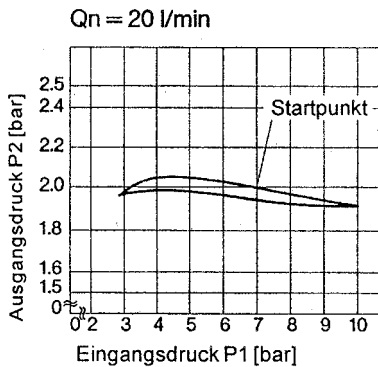
Output pressure p_2			6	
Nominal flow ($\Delta p = 1 \text{ bar}$)	QN	m ³ /h	21	
		l/min	350	

Flow characteristic



Hysteresis

Hysteresis of p_2 as a function of rising (falling) p_1 at a constant draw-off rate QN 20 l/min
 Basic setting (starting point): $p_1: 7.0 \text{ bar}$
 $p_2: 2.0 \text{ bar}$



Main spare parts

Part	Art. No.	Ident No.
→ Set of wearing parts	22.501.4	100785
- Diaphragm		
- Valve cone		
- O-ring 30 x 2		
- O-ring 9 x 1.5		
Pr. gauge $\varnothing 40, G1/8$		
0 to 4 bar	110.44-KD	101671
0 to 6 bar	110.45-KD	101533
0 to 10 bar	110.46-KD	101672
0 to 16 bar	110.47-KD	101534