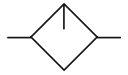


## »G« Series

GL 11–GL 55

Symbol



### Product features

Proportional lubricators, oil can be filled under pressure.

### Specifications / Technical data

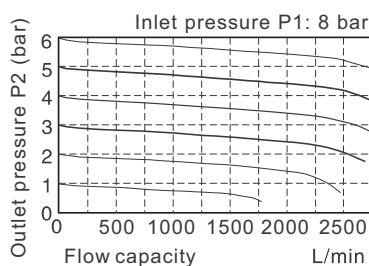
Art. No.	Size 300			Size 400		Size 600	
	GL 11	GL 12	GL 13	GL 32	GL 33	GL 34	GL 55
Fluid	Air						
Port size	1/4"	3/8"	1/2"	3/8"	1/2"	3/4"	1"
Pressure range	0.5 to 9 bar (0.05 to 0.9 MPa, 7 to 130 psi)						
Proof pressure	15 bar (1.5 MPa, 215 psi)						
Temperature range	-20 to 70 °C						
Capacity of oil bowl	75 cm <sup>3</sup>			160 cm <sup>3</sup>		380 cm <sup>3</sup>	
Weight	360 g			670 g		1300 g	
Drop rate at qv = 1000 l/min	1 to 2 drops/min (recommended value)						
Oil grade	Mineral oil, viscosity 32 cSt, acc. to DIN 51524 - ISO VG 32						

### Ordering information

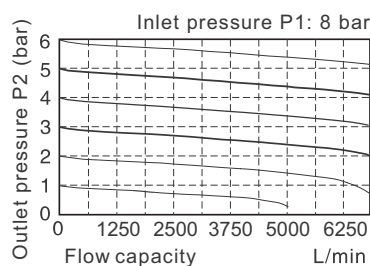
Art. No.	Type
GL 11–GL 13, GL 32, GL 33	Oil-mist lubricators with polycarbonate bowl, bowl guard and »HW« mounting bracket
GL 34, GL 55	Oil-mist lubricators with metal bowl, sight glass and »HW« mounting bracket

### Flow chart

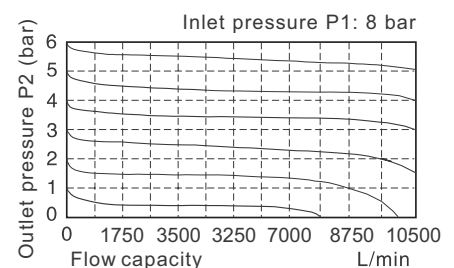
GL 12\*, GL 13



GL 32, GL 33



GL 34, GL 55



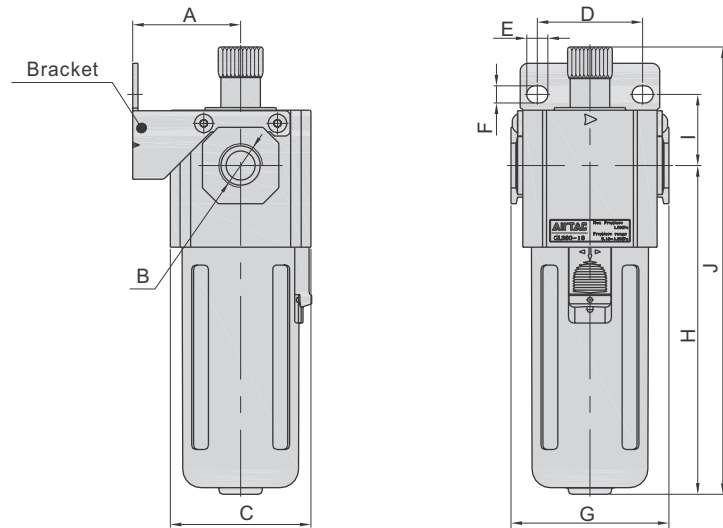
\*Flow rates GL 11 approx. 17% less

»G« Series

GL 11–GL 55

Body dimensions

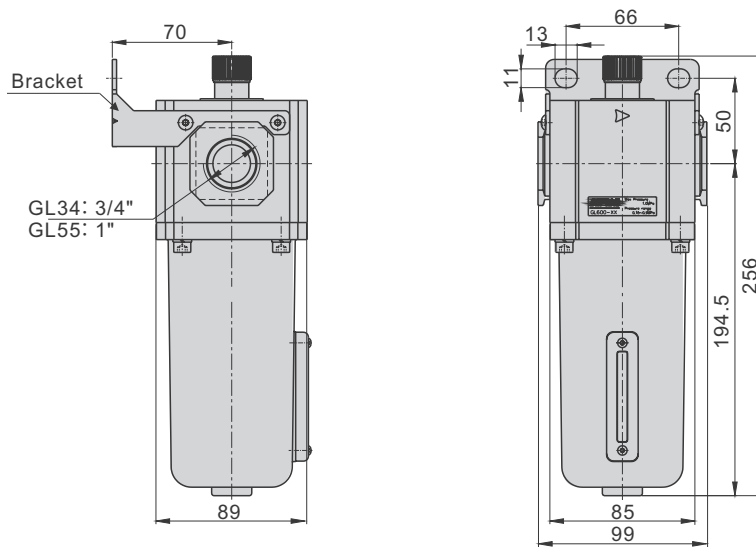
GL 11–GL 13, GL 32, GL 33



Art. No.	A	B	C	D	E	F	G	H	I	J
GL 11	41	1/4"	53.5	40	8	6.5	60	125	27	169
GL 12	41	3/8"	53.5	40	8	6.5	60	125	27	169
GL 13	41	1/2"	53.5	40	8	6.5	60	125	27	169
GL 32	50	3/8"	71	55	11	8.5	80	142	33.5	190
GL 33	50	1/2"	71	55	11	8.5	80	142	33.5	190

(Values in mm, exception B = inch)

GL 34, GL 55

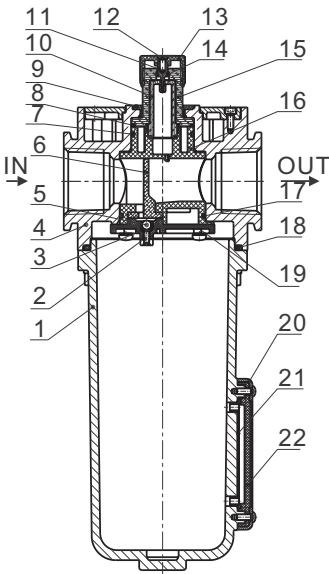


## »G« Series

GL 11–GL 55








### Components and materials

GL 11–GL 55



No.	Item	Material
1	Oil Bowl	Aluminum alloy (GL 34, GL 55)/ PC (other)
2	Adjusting spring	Stainless steel
3	O-ring	NBR
4	Body of lubricator	Aluminum alloy
5	Steel ball	Stainless steel
6	Distance block	PU
7	O-ring	NBR
8	O-ring	NBR
9	Indicating ring	POM
10	Drop pipe	PC
11	Ejector pin	Brass
12	Screw	Brass
13	Adjusting ring	POM
14	O-ring	NBR
15	Bowl	PC
16	Sprayer body	PA66
17	O-ring	NBR
18	O-ring	NBR
19	Sprayer bottom cap	POM
20	Liquid meter cover	Steel
21	Liquid meter seal	FPM-P
22	Liquid meter inside cover	PC

### Accessories

	For GL 11–GL 13	For GL 32 and GL 33	For GL 34 and GL 55	Type
	Art. No.	Art. No.	Art. No.	
	GL 11 200	GL 32 200	–	Polycarbonate bowl for oil-mist lubricators
	GL 11 300	GL 32 300	–	Polycarbonate bowl with bowl guard for oil-mist lubricators
	–	–	GL 34 M	Metal bowl with sight glass for oil-mist lubricators
	HW 301	HW 401	HW 601	Mounting bracket, incl. 4 screws
	UB 300	UB 400	UB 600	Joiner without wall mounting
	LB 300	LB 400	LB 600	Joiner with wall mounting, 1 drilled hole
	TB 300	TB 400	TB 600	Joiner with wall mounting, 2 drilled holes

(Pictures are similar to product.)