
**Service unit, 2-piece**

Size 4

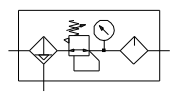
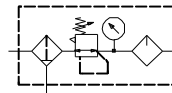
**FU 605    FU 615**

G 3/4

**FU 606    FU 616**

G 1

Filter rating 5 µm


**Description**

- **Service unit** as a pre-assembled combination of individual service units in the "Futura" series
- "KP300" or "WK 103" joiner set for seamless integration with other devices

**Characteristics**

Type	FU 605	FU 615	FU 606	FU 616
Port ISO 228	G 3/4 (semi)	G 3/4 (auto)	G 1 (semi)	G 1 (auto)
Type of construction	- Centrifugal filter, sintered filter element 5 µm - Diaphragm pressure regulator with self-relieving design - Standard oil-mist lubricator, refilling under pressure			
Medium	Compressed air, neutral gases			
Mounting position	Vertical, bowl at bottom			
Control ranges	0.1 to 1 bar / 0.1 to 2 bar / 0.2 to 4 bar / 0.5 to 8 bar / 0.5 to 10 bar / 0.5 to 16 bar			
Internal air consumption	max. 1.5 l/min (depending on secondary pressure)			
Temperature Medium / ambient	Max. 50°C			
Input pressure Pin - With automatic / semi-automatic drain - With manual drain	Min. 1.5 bar / max. 16 bar Max. 16 bar			
Filter rating	Pore size 5 µm			
Bowl capacity	Filter regulator 87 cm <sup>3</sup> / lubricator 181 cm <sup>3</sup>			
Condensate drain	Semi-automatic – pressureless exhaust ( <b>semi</b> ) / fully automatic ( <b>auto</b> )			
Drip rate / qv = 1000l/min	1 to 2 drops / min (recommended value)			
Oil grade	CL 32 acc. to DIN 51517 – ISO VG 32			
Weight	1800 kg ( <b>semi</b> ) / 1850 kg ( <b>auto</b> )			
Mounting type	Bracket, wall mounting			

**Materials**

Part	Material
Head piece	IXEF1022®
Diaphragm	Brass-NBR-PA6
Valve cone	Brass-NBR
Bowl (filter / lubricator)	Polycarbonate
Bowl guard	Polyamide
Metal bowl (filter / lubricator)	Die-cast zinc
Sight dome	Polycarbonate
O-ring 55 x 2.5	NBR70
Filter element	Cellpor (polyethylene)
Threaded plates	Die-cast zinc Z 410

**Ordering information**

- The service units are delivered in single packs
- Pressure gauge included

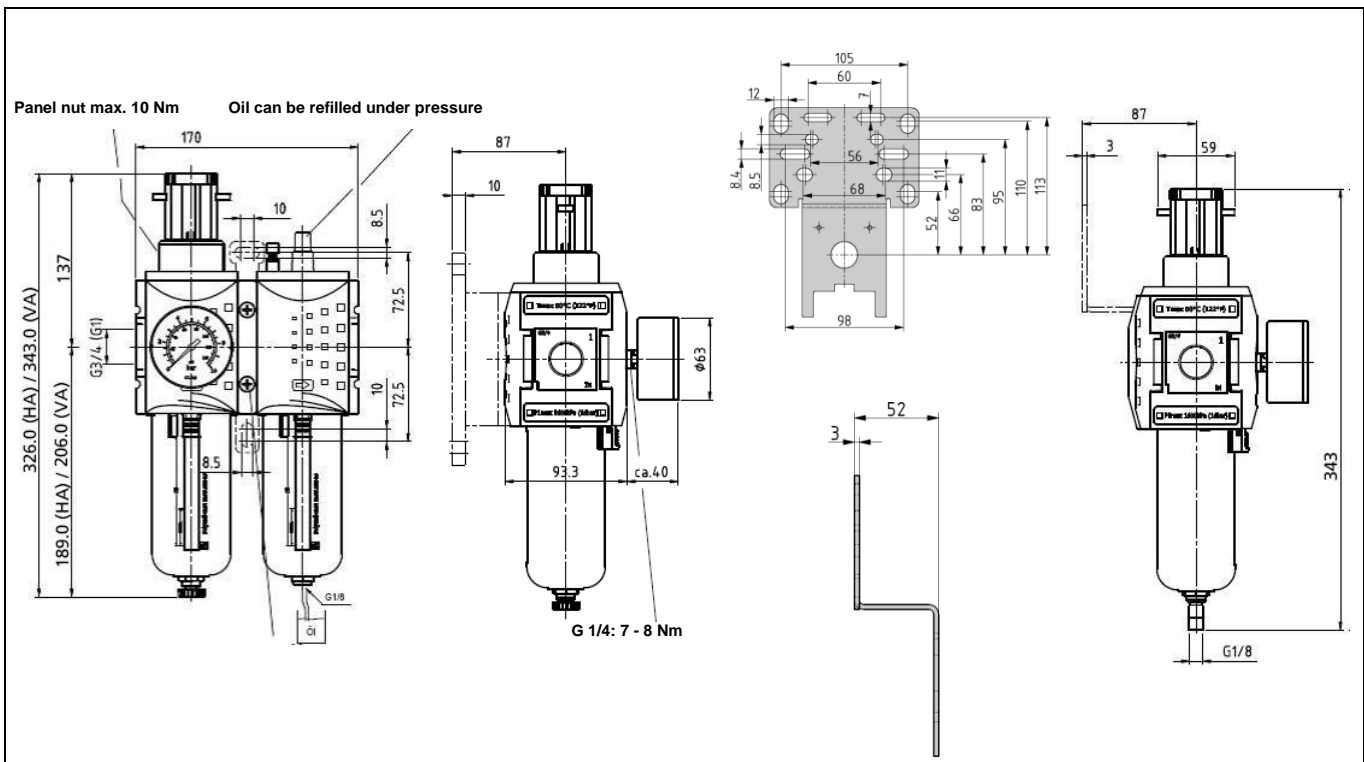
Accessories

Designation	Art. No.
Mounting bracket, incl. screws	H 854
Joiner set with wall bracket	WK 103
Joiner set	KP 300
Polycarbonate bowl with bowl guard / filter	BSF 34
Polycarb. bowl with bowl guard / lubricator	BSL 34
Polycarb. bowl with fully autom. drain valve	BSF 34-A
Metal bowl / filter	MF 34
Metal bowl / lubricator	ML 34
Metal bowl with fully automatic drain valve	MF 34-A
Panel nut M50 x 1.5	R 33-55

Spare parts

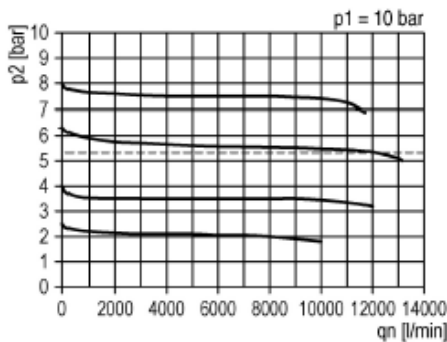
Designation	Art. No.
Seal kit for pressure regulator	22.71110.4
Filter element 5 µm	6141.6.905
Sight dome	901.7.990
O-ring 55 x 2.5	5525.4.9

Dimensions

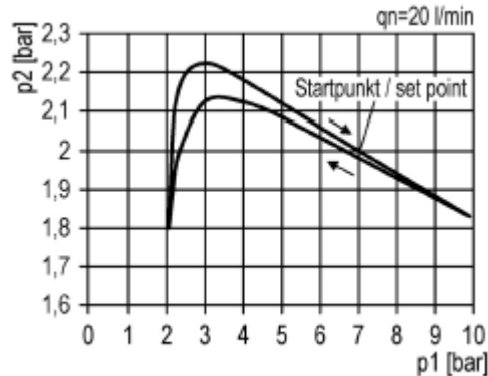


Flow rates

Flow characteristic



Hysteresis



Lubricator operating limit

