



Ball valve

Manually operated

Size 4

FU 983		FU 984
G 3/4	G 1	
16 bar		

Description

Manually operated 3/2-way ball valve for pressurising and relieving downstream pneumatic systems.

Characteristics

Type	FU 983	FU 984
Port (thread)	G 3/4 (optional: NPT)	G 1 (optional: NPT)
Port (air relief)	G 3/4	G 3/4
Type of construction	3/2-way ball valve	
Operation	Rotary switch, can be turned 90° ("on-off") - Can be locked with a padlock after withdrawing the locking plate	
Locking device	Padlock, max. shackle diameter 8 mm	
Relief direction	2 → 3	
Medium	Compressed air, neutral gases	
Mounting position	Interconnected devices vertical / single devices any	
Temperature Medium / ambient	Max. 50°C	
Input pressure Pin	Max. 16 bar	
Nominal flow Qn 1→2	Qn = 25000 l/min (Pin = 6 bar, Δp = 1 bar)	
Weight	0.990 kg	
Mounting type	Bracket, wall mounting	

Materials

Part	Material
Head piece	IXEF1022®
Cover	Schulaform® (POM)
Seals	NBR
Counter-pressure spring	Stainless steel
Stem	Brass
Ball	Brass
Threaded plates	Die-cast zinc

Ordering information

- The valves are delivered in single packs

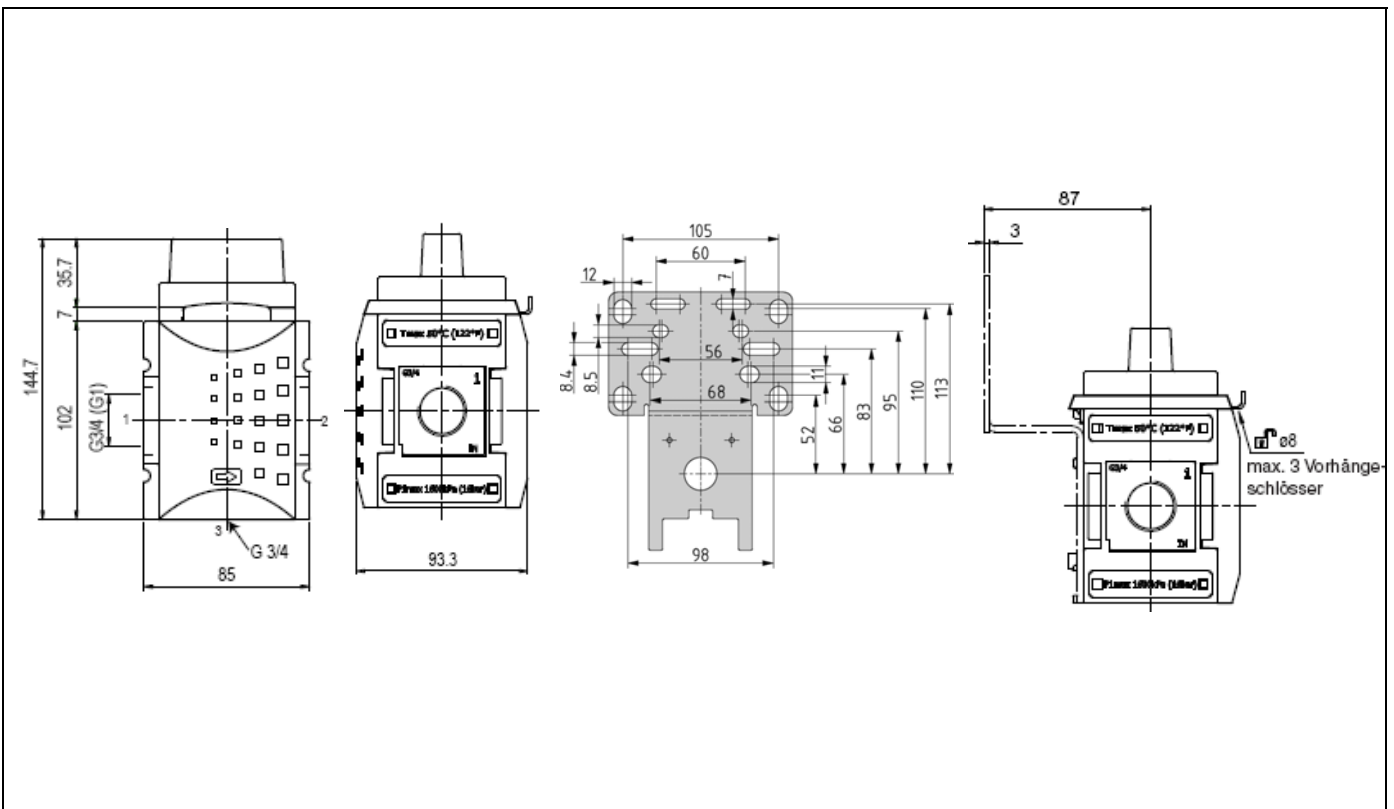
Accessories

Designation	Art. No.
Mounting bracket, incl. screws	H 854
Wall bracket, incl. screws	WK 103
Joiner set, incl. screws	KP 300
Padlock	VS 37
Silencer, sintered bronze	567-5/M

Standards and directives

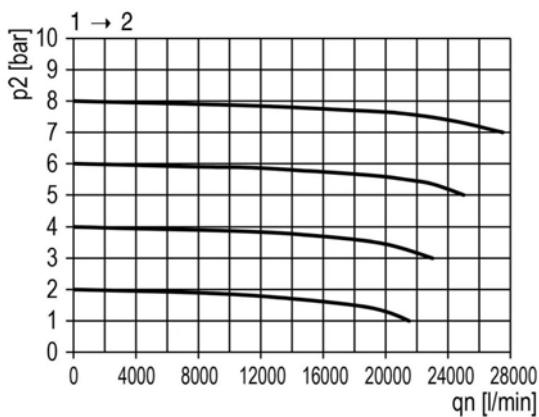
98/37/EC (PED)	Scope: Art. 3, Section 3 Unmarked (acc. to Annex II, Diagram 2, Art. 3, Section 3 is applicable)
ISO 4414	(Pneumatic fluid power – General rules and safety requirements for systems and their components)

Dimensions



Flow rates

Flow characteristic 1 → 2



Return exhaust 2 → 3

