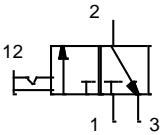




Ball valve

Manually operated

Size 1

FU 951		FU 952
G 1/4	G 3/8	
16 bar		
		

Description

Manually operated ball valve for pressurising and relieving downstream pneumatic systems by remote control.

Characteristics

Type	FU 951	FU 952
Port (thread)	G 1/4 (Option NPT)	G 3/8 (Option NPT)
Port (air relief)	G 1/4	G 1/4
Type of construction	3/2-way ball valve	
Operation	Rotary switch, can be turned -90° ("on-off") - Can be locked with a padlock after withdrawing the locking plate	
Locking device	Padlock, max. shackle diameter 8 mm	
Relief direction	2 → 3	
Medium	Compressed air, neutral gases	
Mounting position	Interconnected devices vertical / single devices any	
Temperature Medium / ambient	Max. 50°C	
Input pressure Pin	Max. 16 bar	
Nominal flow Qn 1 → 2 Air relief 2 → 3	Qn = 1900 l/min (Pe 6 bar, Δp = 1 bar) Qn = 400 l/min (Pe 6 bar, Δp = 1 bar)	
Mounting type	Bracket, wall mounting	

Materials

Part	Material:
Head piece	IXEF1022®
Cover	Schulaform®
Seals	NBR
Counter-pressure spring	Stainless steel
Threaded plates	Die-cast zinc

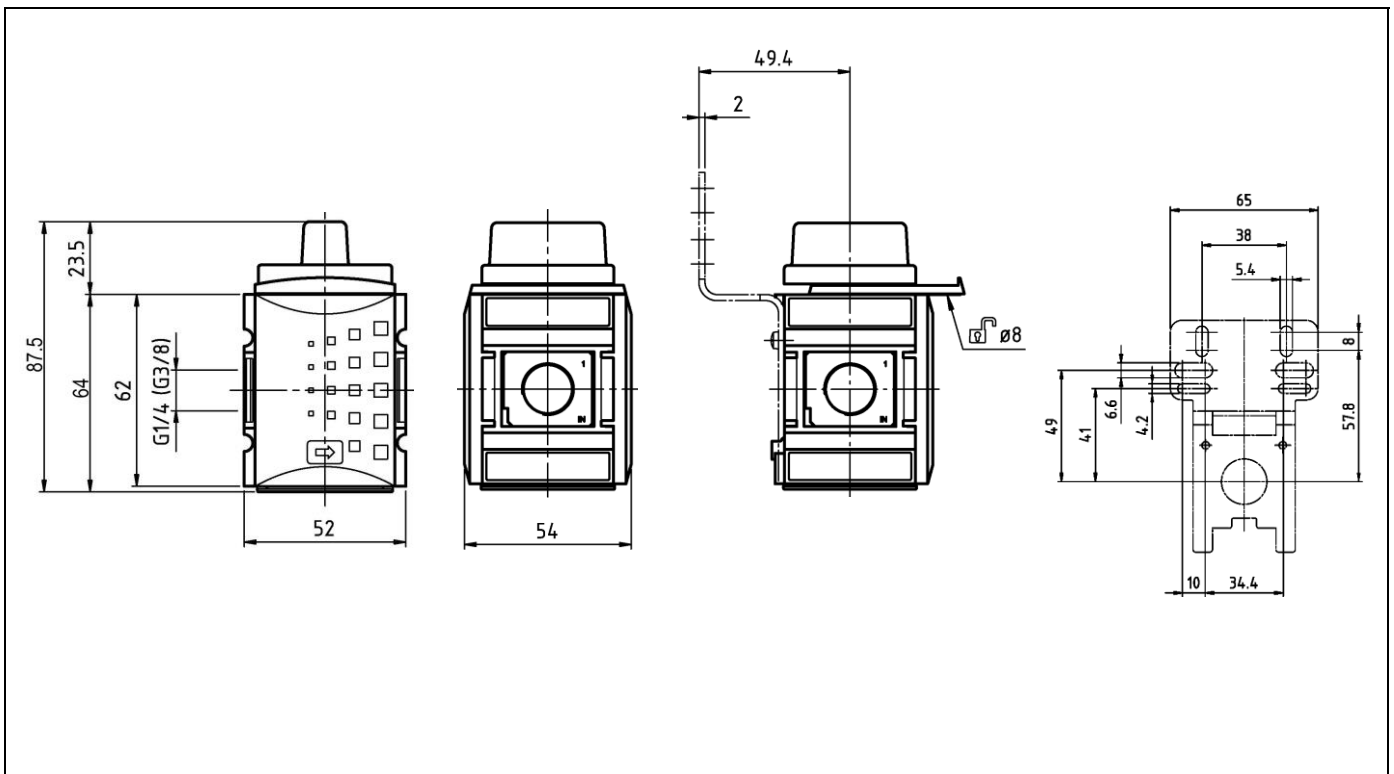
Ordering information

- The valves are delivered in single packs

Accessories

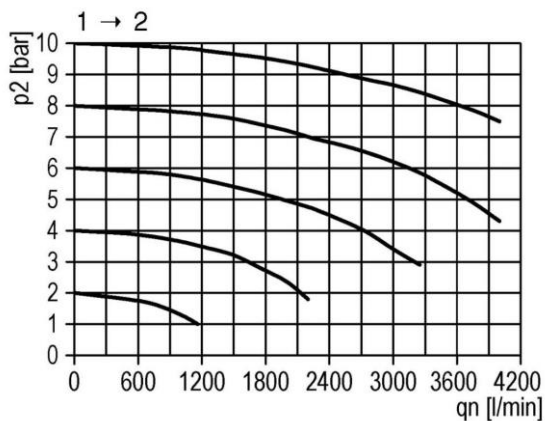
Designation	Art. No.
Mounting bracket, incl. screws	H 850
Wall bracket, incl. screws	WK 100
Joiner set, incl. screws	KP 100
Silencer, sintered bronze, short	564-2
Padlock	VS 37
Silencer, sintered bronze	567-2/M
Wall bracket with connection thread G 1/4	WK 101-14
Wall bracket with connection thread G 3/8	WK 101-38

Dimensions



Flow rates

Flow characteristic



Return exhaust

